

# BLOCK DIAGRAMS

## AUDIO SECTION BLOCK DIAGRAM

**D-VIDEO**  
 • See page 135-139 →  
 SCHEMATIC DIAGRAM

**OPERATION**  
 • See page 130 →  
 SCHEMATIC DIAGRAM

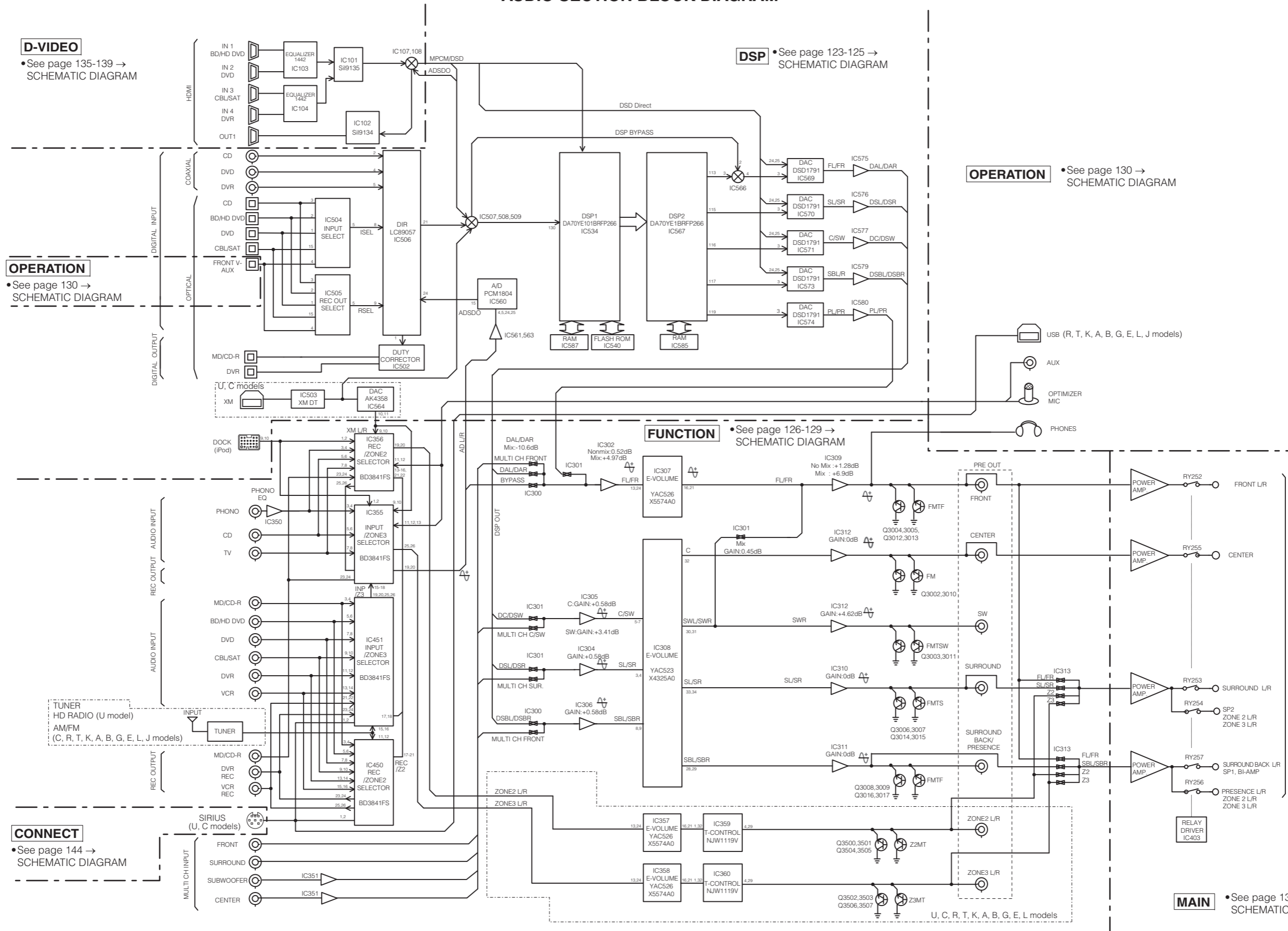
**DSP** • See page 123-125 →  
 SCHEMATIC DIAGRAM

**OPERATION** • See page 130 →  
 SCHEMATIC DIAGRAM

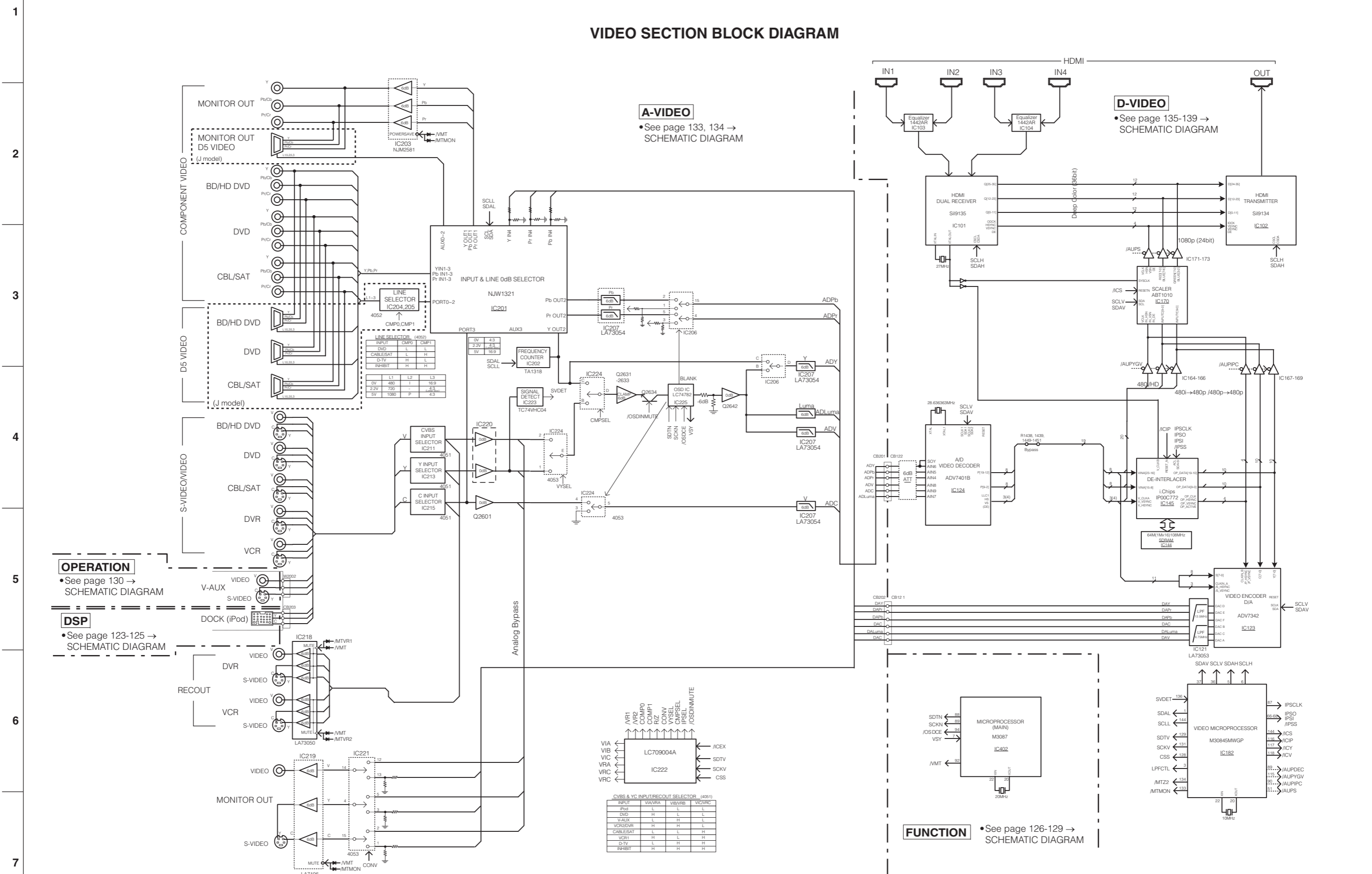
**FUNCTION** • See page 126-129 →  
 SCHEMATIC DIAGRAM

**CONNECT**  
 • See page 144 →  
 SCHEMATIC DIAGRAM

**MAIN** • See page 131 →  
 SCHEMATIC DIAGRAM



### VIDEO SECTION BLOCK DIAGRAM



**A-VIDEO**  
 • See page 133, 134 → SCHEMATIC DIAGRAM

**D-VIDEO**  
 • See page 135-139 → SCHEMATIC DIAGRAM

**OPERATION**  
 • See page 130 → SCHEMATIC DIAGRAM

**DSP**  
 • See page 123-125 → SCHEMATIC DIAGRAM

**FUNCTION**  
 • See page 126-129 → SCHEMATIC DIAGRAM

VIA VIB VIC VRA VRC VRC

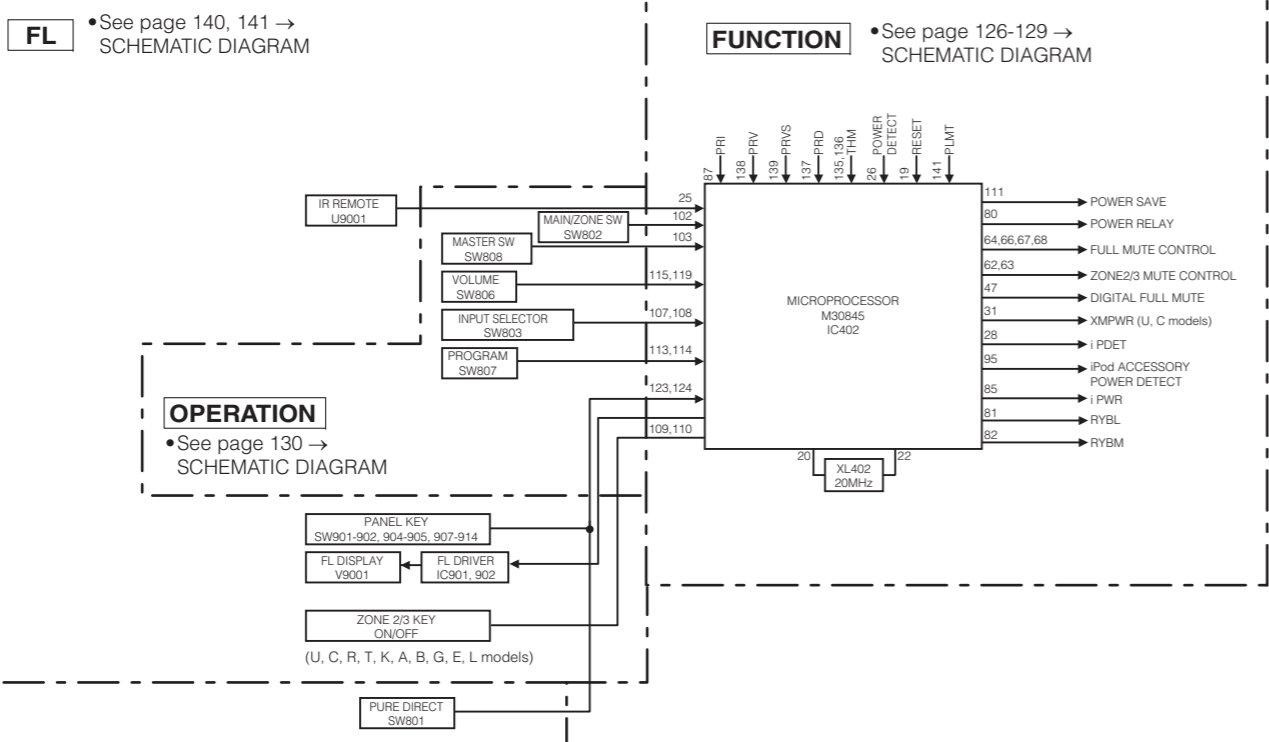
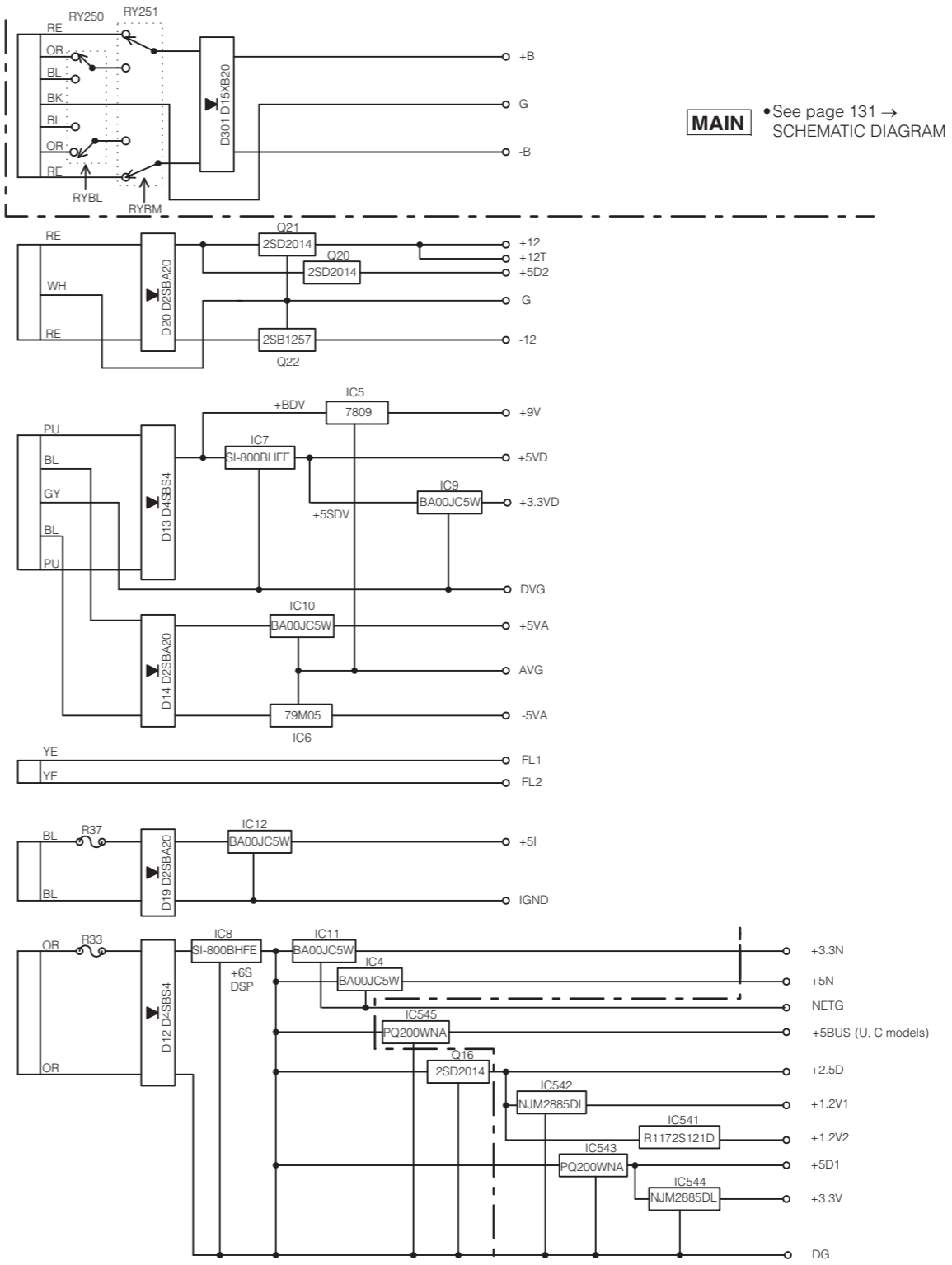
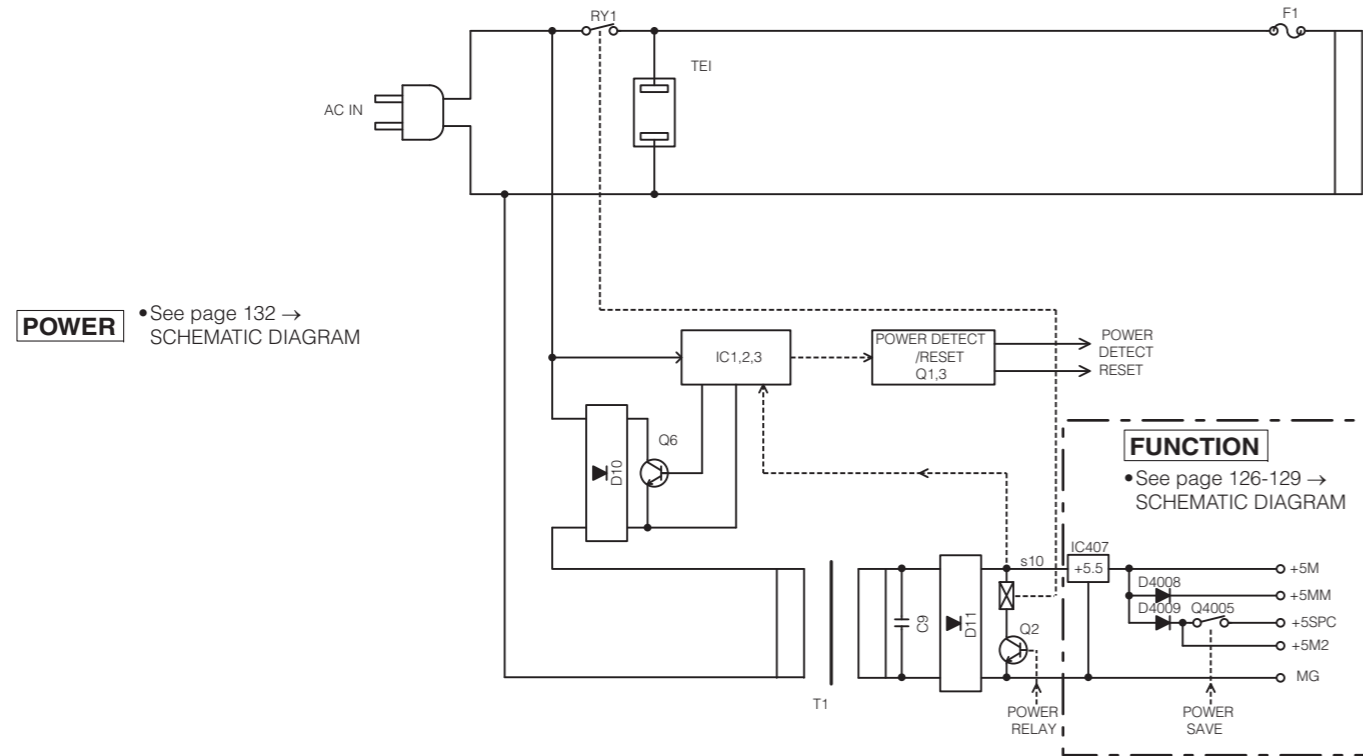
VIA	VIB	VIC	VRA	VRC	VRC
IC222	IC222	IC222	IC222	IC222	IC222

CVBS & YC INPUT/RECOULT SELECTOR (4051)

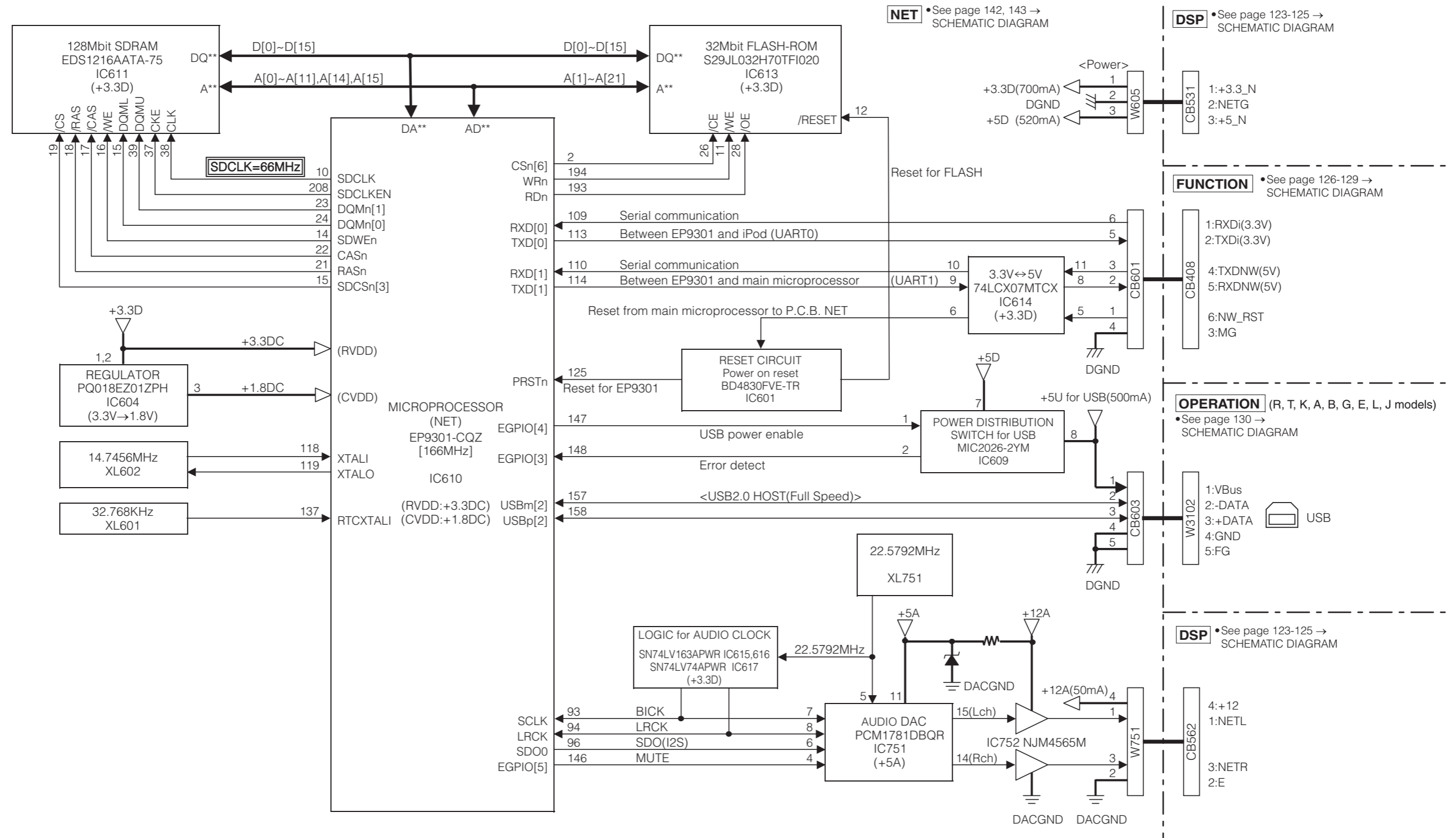
INPUT	VIA/VRA	VIB/VRB	VIC/VRC
IPod	L	L	L
DVD	H	L	L
V-AUX	L	H	L
VCR/DVR	H	H	L
CABLE/SAT	L	L	H
VCR1	H	L	H
D-TV	L	H	H
INHIBIT	H	H	H

### CONTROL/POWER SECTION BLOCK DIAGRAM

POWER TRANSFORMER



### NET SECTION BLOCK DIAGRAM (R, T, K, A, B, G, E, L, J models)



SCHEMATIC DIAGRAMS  
DSP 1/3

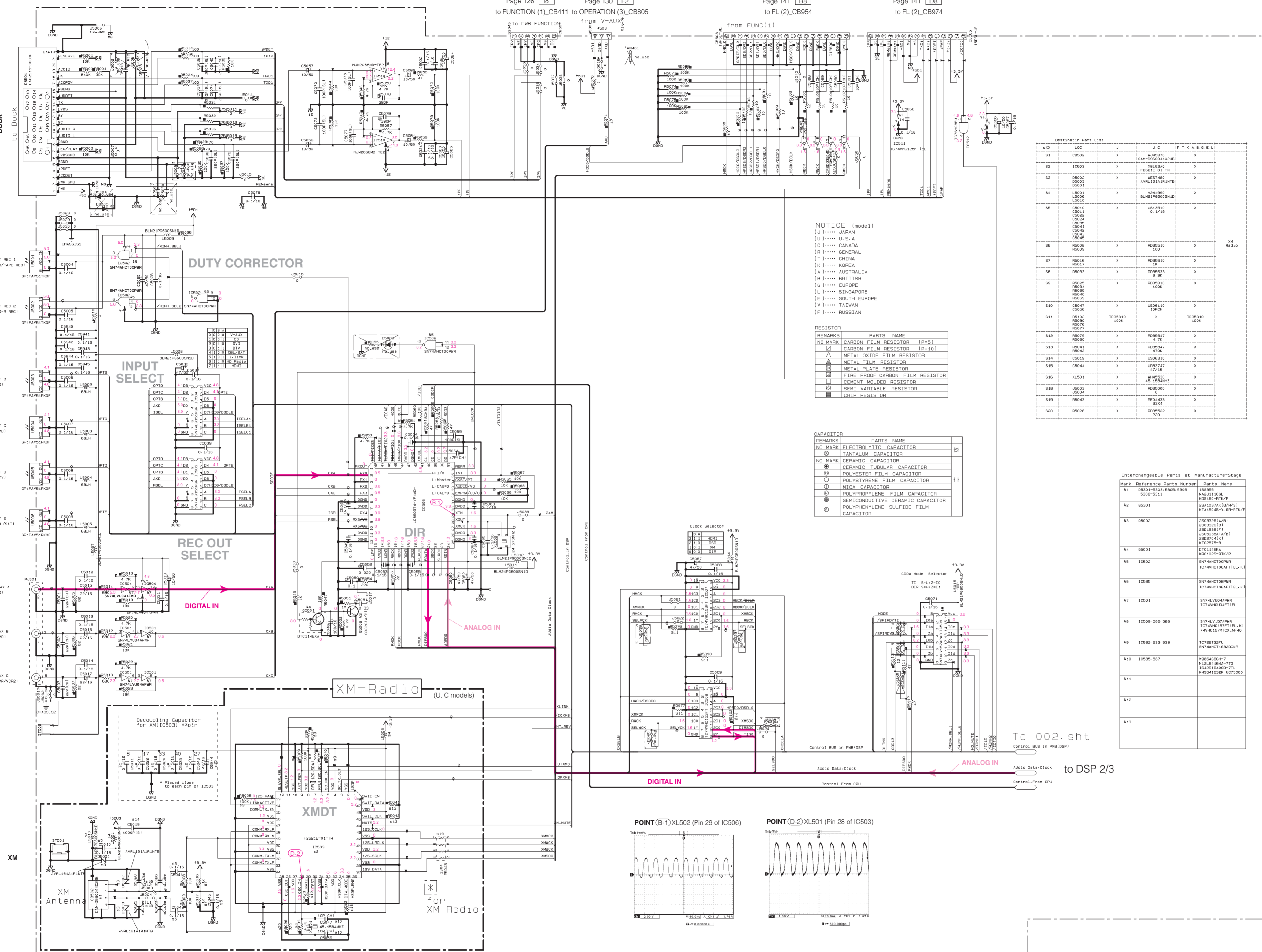
Page 126 [18] Page 130 [F2] Page 141 [B8] Page 141 [D8]  
to FUNCTION (1)\_CB411 to OPERATION (3)\_CB805 to FL (2)\_CB954 to FL (2)\_CB974

No replacement part available.  
代替部品供給なし

DIGITAL OUTPUT

DIGITAL INPUT

COAXIAL



NOTICE (mode1)  
(J)..... JAPAN  
(U)..... U.S.A  
(C)..... CANADA  
(B)..... GENERAL  
(T)..... CHINA  
(K)..... KOREA  
(A)..... AUSTRALIA  
(S)..... BRITISH  
(G)..... EUROPE  
(L)..... SINGAPORE  
(E)..... SOUTH EUROPE  
(V)..... TAIWAN  
(F)..... RUSSIAN

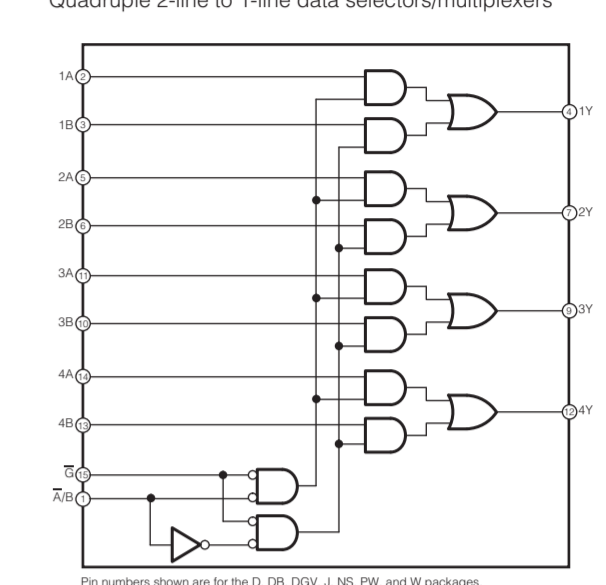
REMARKS	PARTS NAME
NO MARK	CARBON FILM RESISTOR [P=5]
□	CARBON FILM RESISTOR [P=10]
△	METAL OXIDE FILM RESISTOR
▲	METAL FILM RESISTOR
○	METAL PLATE RESISTOR
⊖	FIRE PROOF CARBON FILM RESISTOR
■	CEMENT MOLDED RESISTOR
⊕	SEMI VARIABLE RESISTOR
⊙	CHIP RESISTOR

REMARKS	PARTS NAME
NO MARK	ELECTROLYTIC CAPACITOR
□	TANTALUM CAPACITOR
○	CERAMIC TUBULAR CAPACITOR
⊖	POLYESTER FILM CAPACITOR
⊕	POLYPROPYLENE FILM CAPACITOR
⊙	MICA CAPACITOR
⊖	POLYPROPYLENE FILM CAPACITOR
⊕	SEMICONDUCTIVE CERAMIC CAPACITOR
⊙	POLYPHENYLENE SULFIDE FILM CAPACITOR

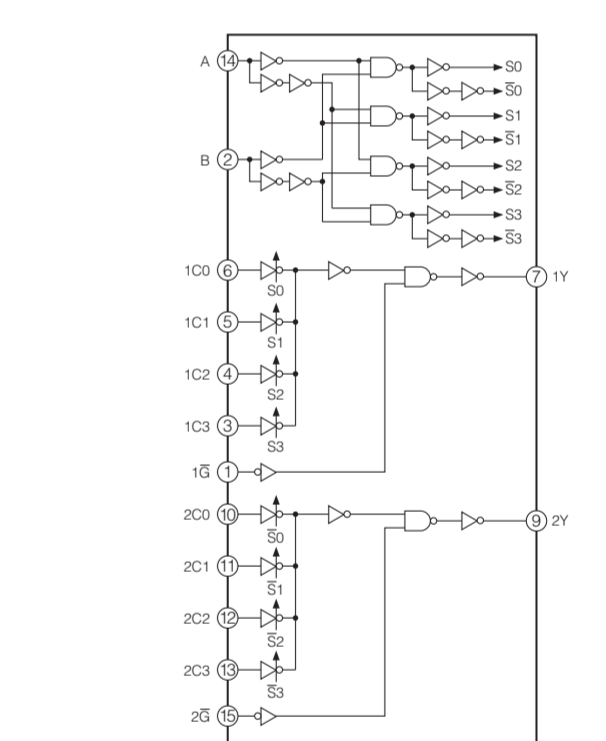
Part No.	LOC	QTY	U-C	IB-T-K-A-B-G-E-L
S1	CB902	X	M48259	X
S2	IC903	X	NE19340	X
S3	IC902	X	NE17480	X
S4	IC901	X	BLK119600ND1	X
S5	IC910	X	US13510	X
S6	RD908	X	RD99510	X
S7	RD916	X	RD99610	X
S8	RD919	X	RD99630	X
S9	RD919	X	RD99610	X
S10	IC947	X	US91110	X
S11	RD919	X	RD99610	X
S12	RD919	X	RD99647	X
S13	RD919	X	RD99647	X
S14	IC919	X	US96110	X
S15	IC944	X	US93747	X
S16	XL501	X	XL49530	X
S18	US904	X	RD99600	X
S19	RD943	X	RD94433	X
S20	RD926	X	RD99552	X

Mark	Reference Parts Number	Parts Name
A1	05001-0303-5306	188399
A2	05001-0303-5306	MA211100L
A3	05001	K25160-RTK/P
A4	05002	SSC3308(A/B)
A5	05001	SSC3308(B)
A6	05001	SSC3308(L/B)
A7	05001	SSC3308(K)
A8	05001	SSC3308(R)
A9	05001	SSC3308(T)
A10	05001	SSC3308(B)
A11	05001	SSC3308(L)
A12	05001	SSC3308(R)
A13	05001	SSC3308(T)

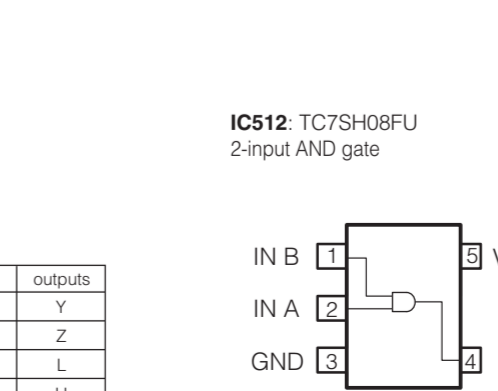
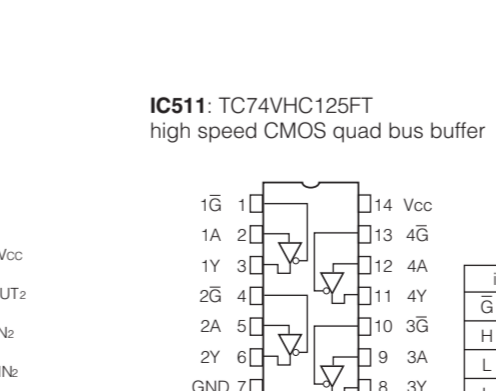
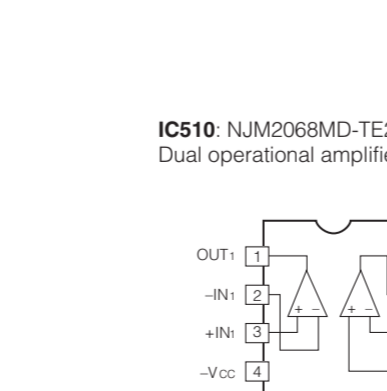
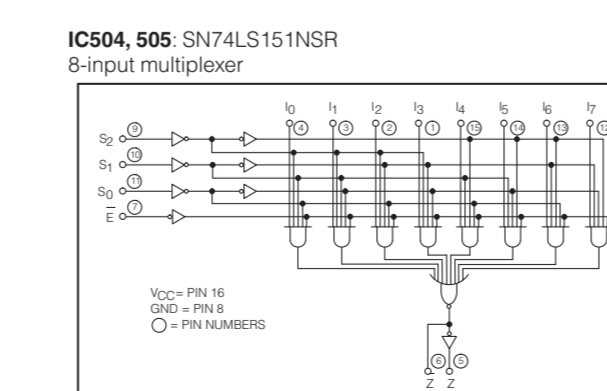
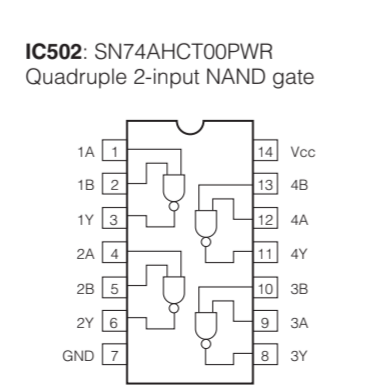
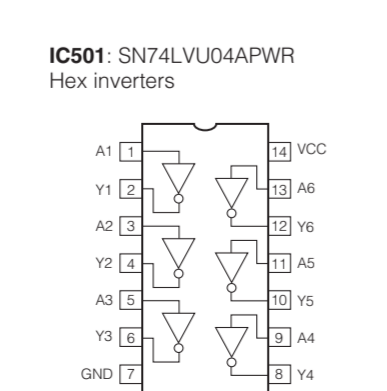
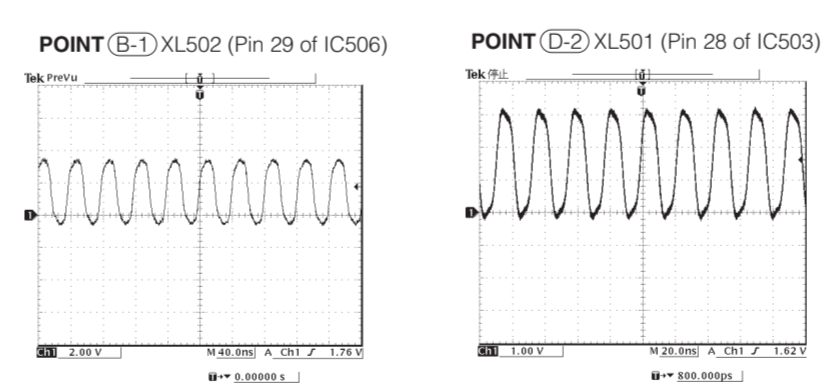
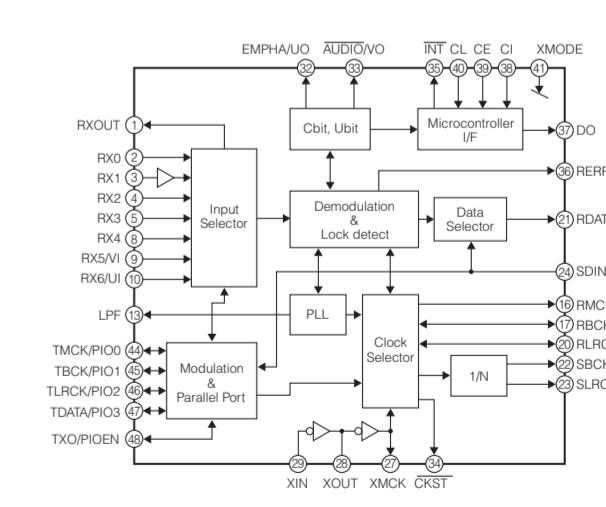
IC509: SN74LV157APWR  
Quadruple 2-line to 1-line data selectors/multiplexers



IC507, 508: TC74VHC153FT  
Dual 4-channel multiplexer



IC506: LC89057W-VF4AD-E  
Digital audio interface transceiver



★ All voltages are measured with a 10MΩ/V DC electronic voltmeter.  
★ Components having special characteristics are marked with a triangle and must be replaced with parts having specifications equal to those originally installed.  
★ Schematic diagram is subject to change without notice.  
● 電圧は、内部抵抗10MΩの電圧計で測定したものです。  
● 印のある部品は、安全性確保部品を示しています。部品の交換が必要な場合、パーツリストに記載されている部品を使用してください。  
● 本回路図は標準回路図です。改良のため予告なく変更することがございます。

DSP 2/3

NOTICE (model)
(U) JAPAN
(U) U.S.A
(C) CANADA
(A) GENERAL
(T) CHINA
(K) KOREA
(A) AUSTRALIA
(B) BRITISH
(G) EUROPE
(L) SINGAPORE
(E) SOUTH
(V) TAIWAN
(F) RUSSIAN

Table with 2 columns: CAPACITOR, PARTS NAME. Lists various capacitor types like ELECTROLYTIC, TANTALUM, CERAMIC, POLYESTER, POLYPROPYLENE, SEMICONDUCTIVE, POLYPHENYLENE SULFIDE.

Table with 2 columns: RESISTOR, PARTS NAME. Lists various resistor types like CARBON FILM, METAL OXIDE FILM, METAL FILM, METAL PLATE, FINE PROOF CARBON FILM, CEMENT MOLDED, SEMI-VARIABLE, CHIP.

To/From 001.sht

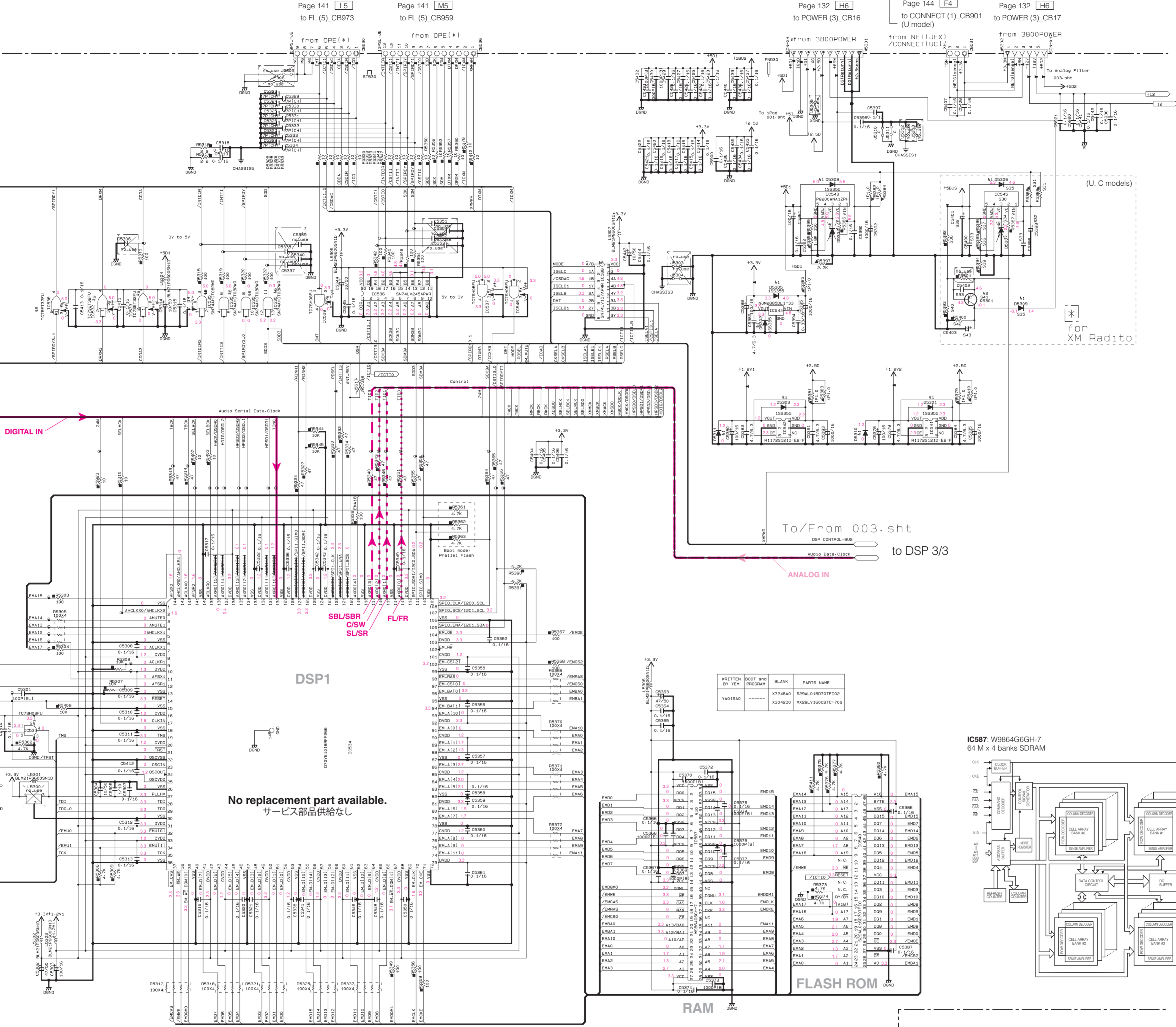
to DSP 1/3

Control BUS in PMB(DSP)

AUDIO Data-Clock

Control From CPU

ANALOG IN



No replacement part available. サービス部品供給なし

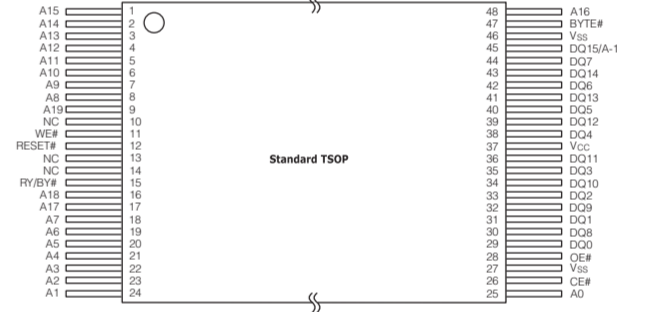
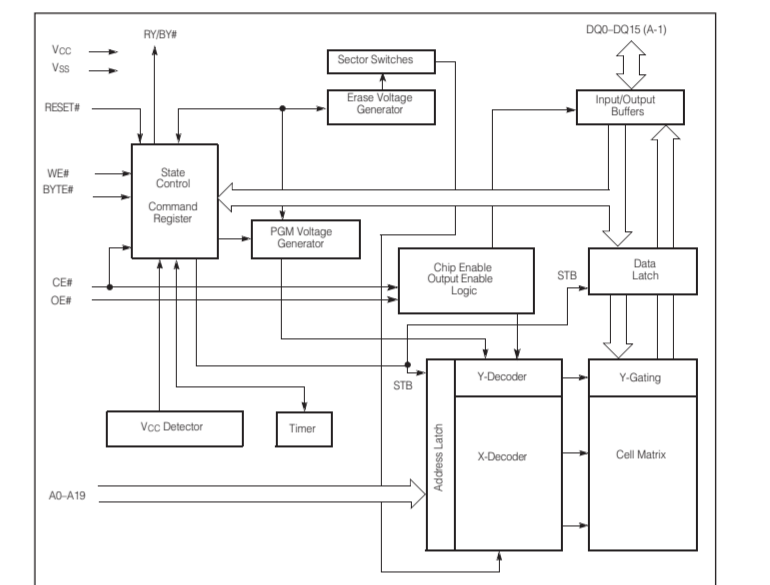
Table with 4 columns: WRITTEN BY, BOOT AND PROGRAM, BLANK, PARTS NAME. Lists component identifiers like Y405940, X724840, K304200, M2R8V160C8T1-70G.

FLASH ROM

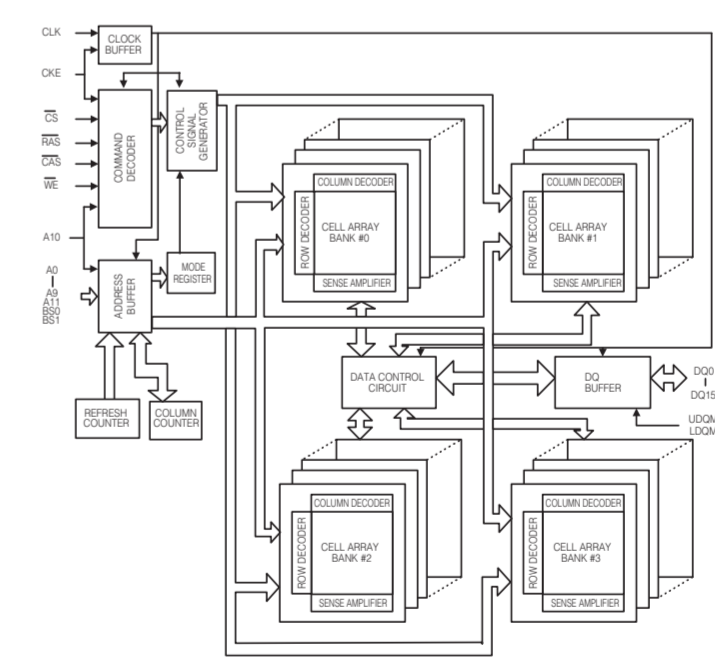
RAM

Destination Part List table with columns: SKY, LOC, J, U-C, M, R, T, K, A, B, G, E, L. Lists various components and their locations.

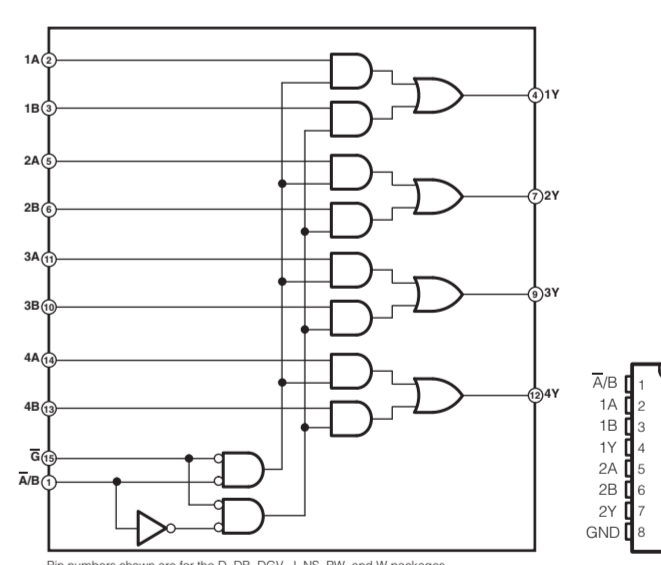
IC540: S29AL016D70TFI020 16-M-bit CMOS 3.0-volt-only boot sector flash memory



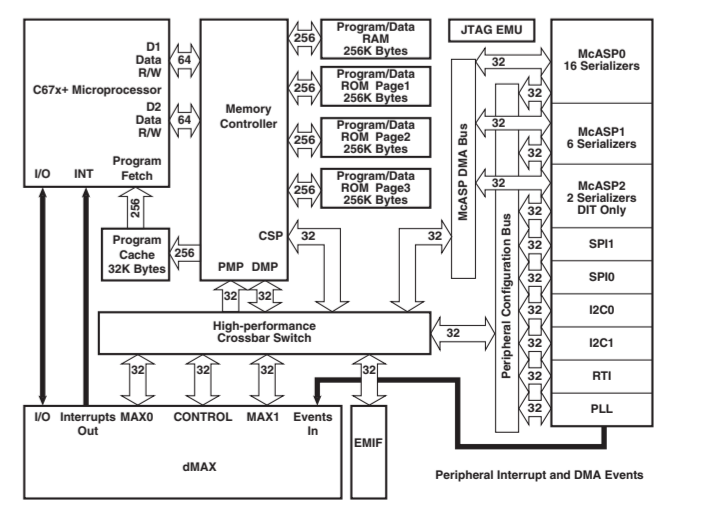
IC587: W9864G6GH-7 64 M x 4 banks SDRAM



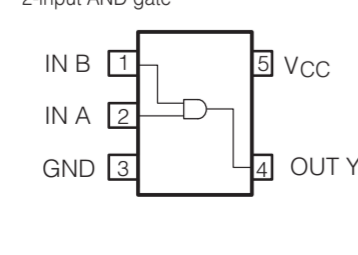
IC588: SN74LV157APWR Quaduple 2-line-to-1-line data selectors/multiplexers



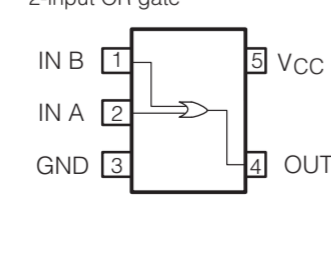
IC534: D70YE101BRFP266 Floating-point digital signal processors



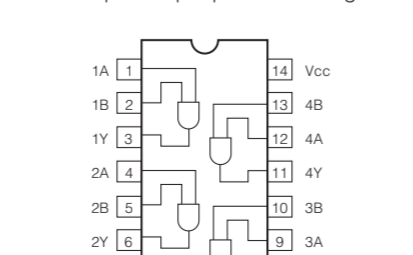
IC531, 537, 539, 546: TC7SH08FU 2-input AND gate



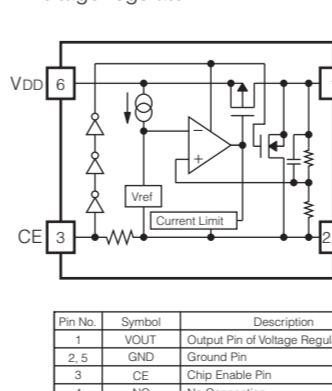
IC532, 533, 538: TC7SET32FU 2-input OR gate



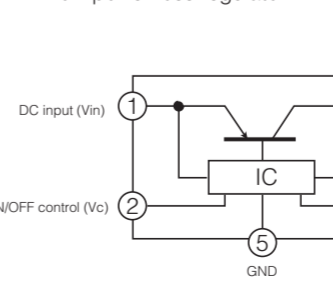
IC535: SN74AHC08PWR Quaduple 2-input positive-AND gates



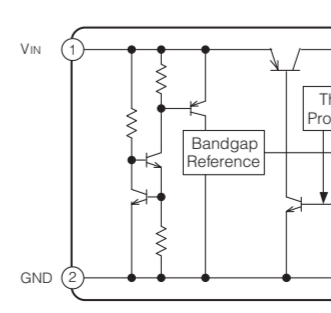
IC541, 542: R1172S121D-E2-F Voltage regulator



IC543, 545: PQ200WNA1ZPH Low power loss regulator



IC544: NJM2885DL1-33 Low dropout voltage regulator



All voltages are measured with a 10MΩ/V DC electronic voltmeter. Components having special characteristics are marked with a dot and must be replaced with parts having specifications equal to those originally installed. Schematic diagram is subject to change without notice. 電圧は、内部抵抗10MΩの電圧計で測定したものです。印のある部品は、安全性確保部品を示しています。部品の交換が必要な場合、パーツリストに記載されている部品を使用してください。本回路図は標準回路図です。改良のため予告なく変更することがございます。

DSP 3/3

CAPACITOR

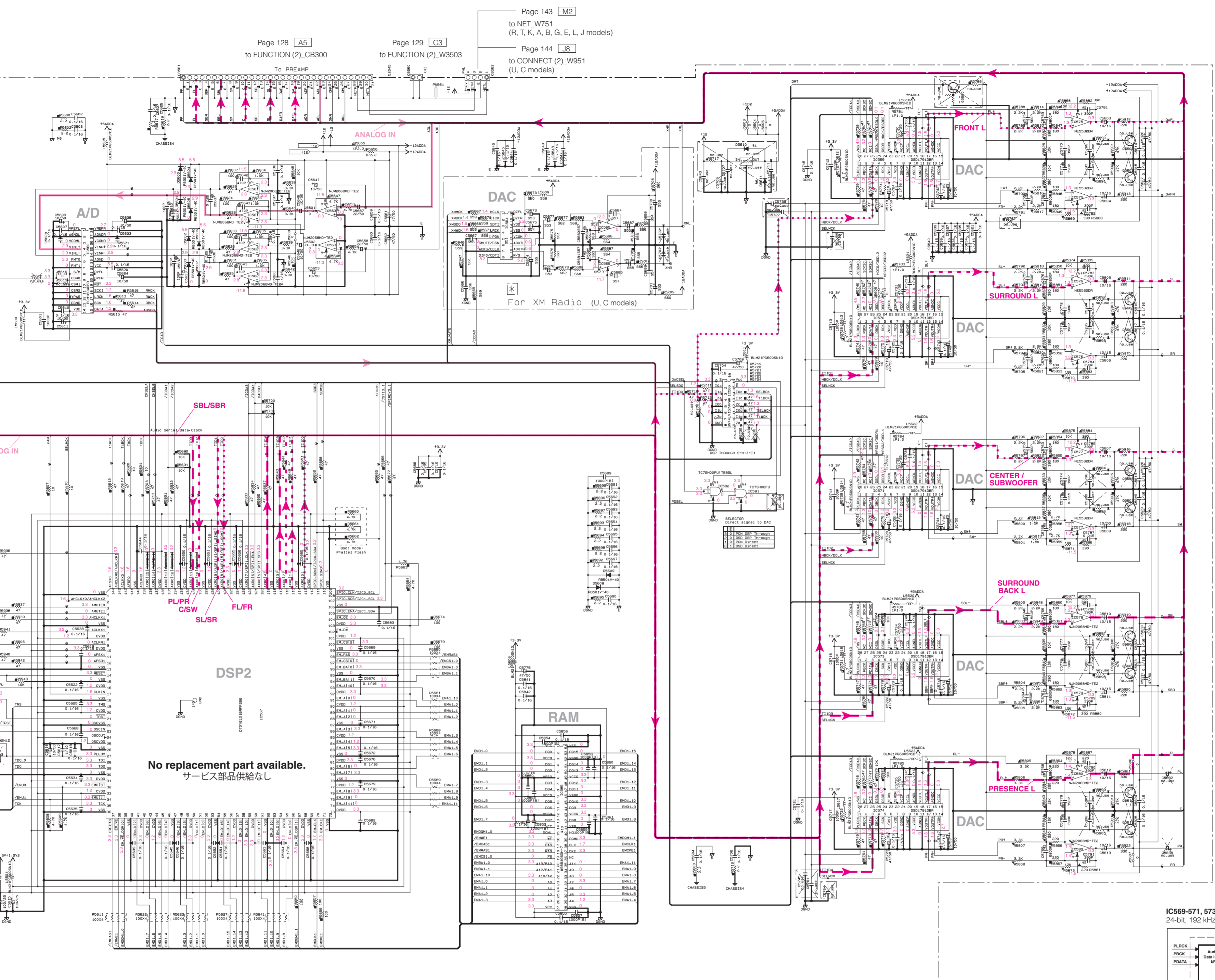
REMARKS	PARTS NAME
NO MARK	ELECTROLYTIC CAPACITOR
⊙	TANTALUM CAPACITOR
NO MARK	CERAMIC CAPACITOR
⊙	POLYESTER FILM CAPACITOR
⊙	POLYSTYRENE FILM CAPACITOR
⊙	MICA CAPACITOR
⊙	POLYPROPYLENE FILM CAPACITOR
⊙	SEMICONDUCTIVE CERAMIC CAPACITOR
⊙	POLYPHENYLENE SULFIDE FILM CAPACITOR

RESISTOR

REMARKS	PARTS NAME
NO MARK	CARBON FILM RESISTOR (P-R)
△	METAL OXIDE FILM RESISTOR
△	METAL FILM RESISTOR
△	METAL PLATE RESISTOR
□	FINE PORE CARBON FILM RESISTOR
□	CEMENT MOLDED RESISTOR
□	SEMI VARIABLE RESISTOR
■	CHIP RESISTOR

NOTICE (model)

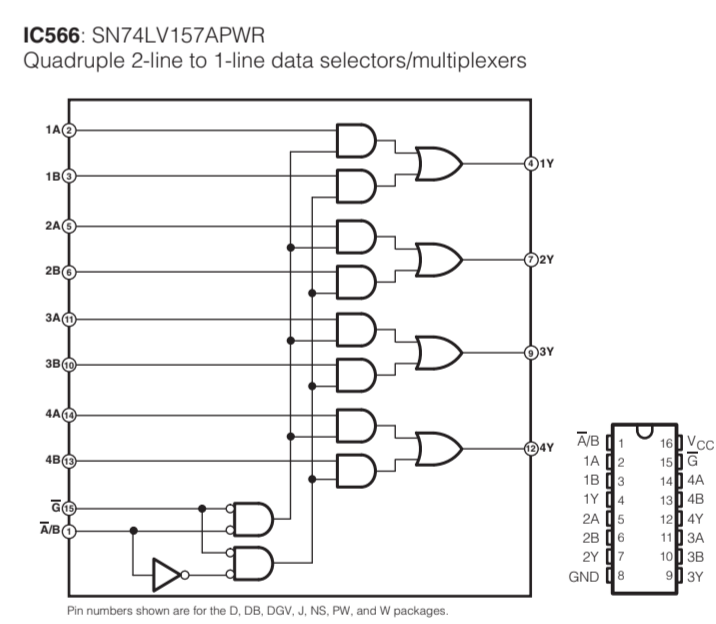
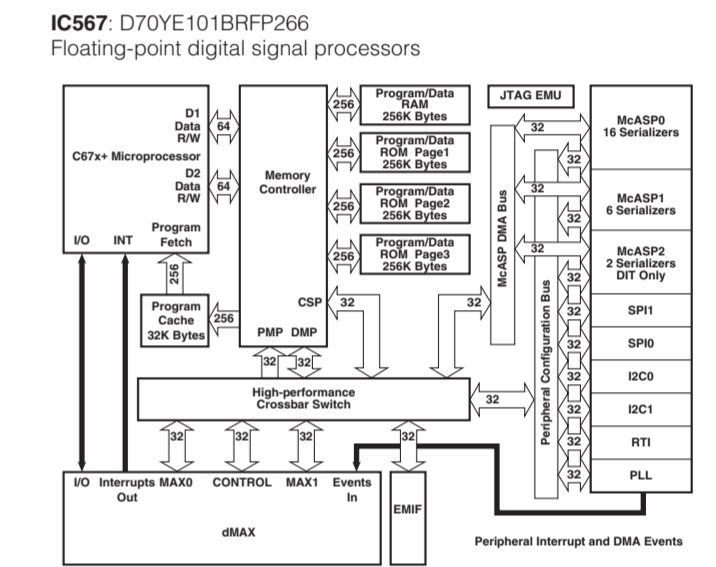
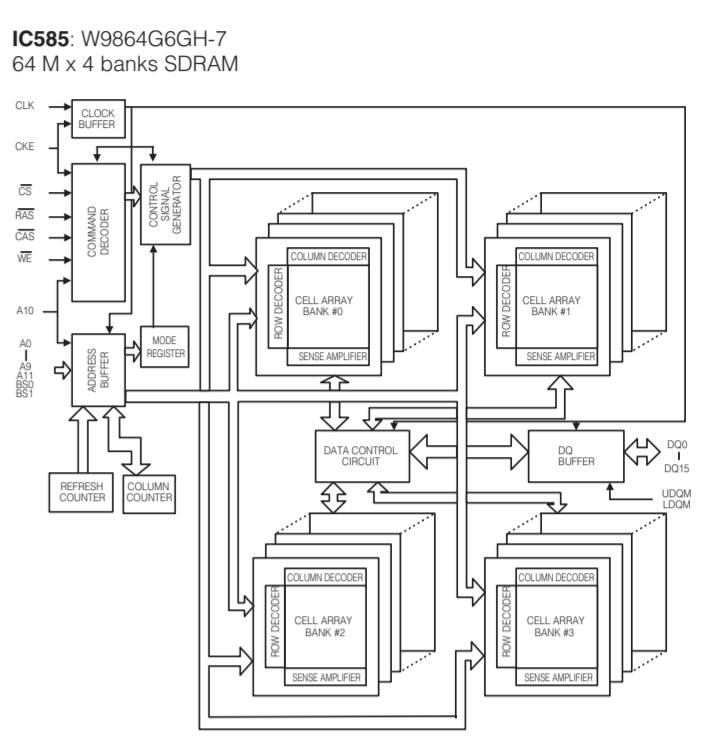
(J)..... JAPAN  
 (U)..... U.S.A.  
 (C)..... CANADA  
 (R)..... GENERAL  
 (T)..... CHINA  
 (K)..... KOREA  
 (A)..... AUSTRALIA  
 (B)..... BRITISH  
 (E)..... EUROPE  
 (L)..... SINGAPORE  
 (S)..... SOUTH  
 (V)..... TAIWAN  
 (F)..... RUSSIAN



To From 002.sht  
 to DSP 2/3

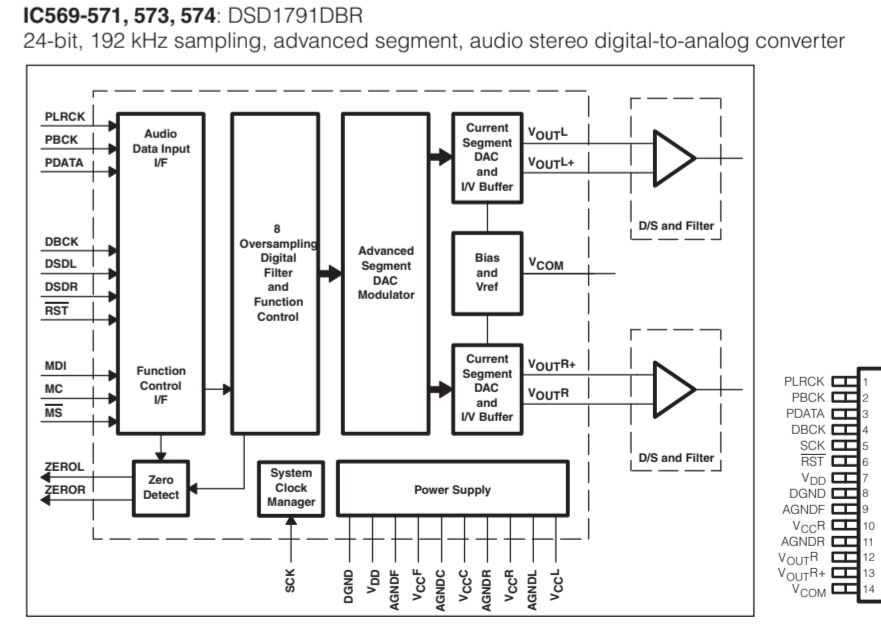
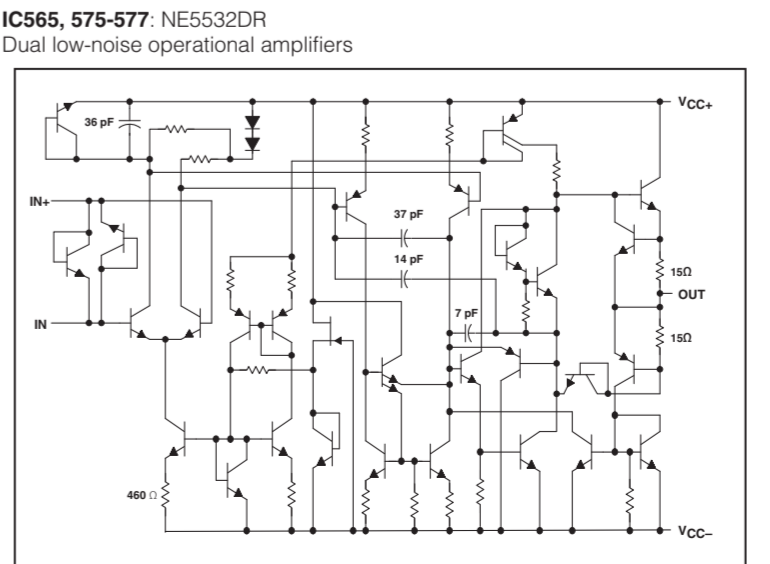
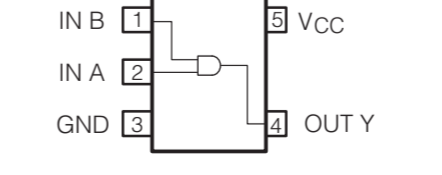
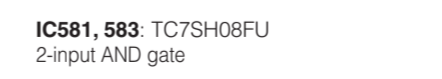
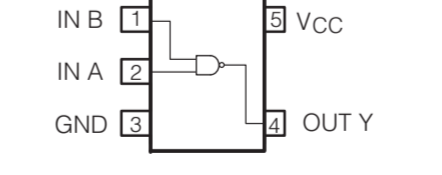
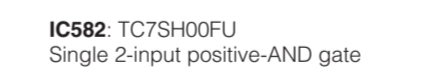
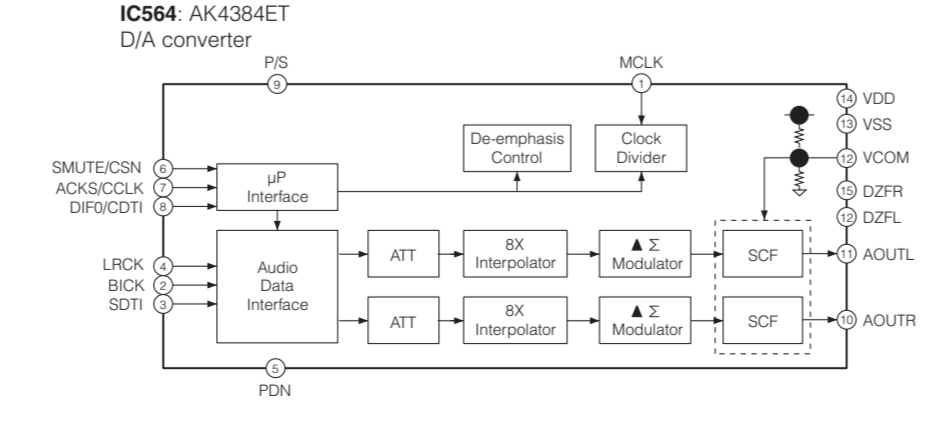
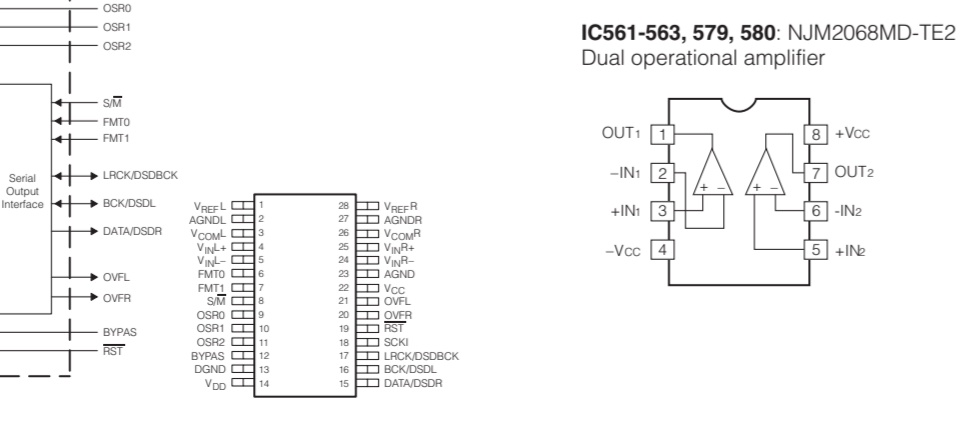
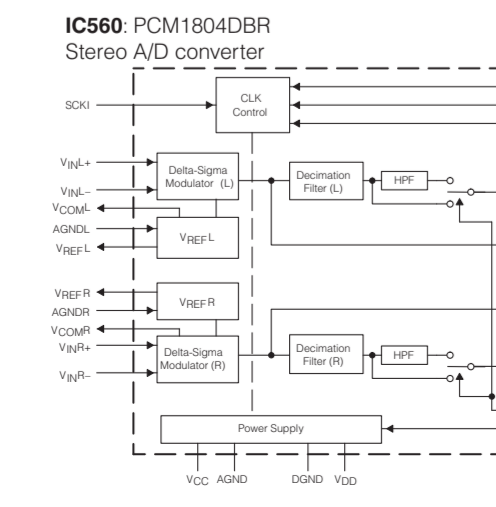
to DSP 2/3  
 To From 002.sht

No replacement part available.  
 サービス部品供給なし



Destination Part List

xxx	LOC	J	U-C	Ref. T. K. A. B. G. E. L. J
555	C5674	X	U6D1710	X
556	C5687	X	U6D1710	X
556	C5686	X	U6D1410	X
557	C5685	X	W30450	X
558	L5609	X	Y24490	X

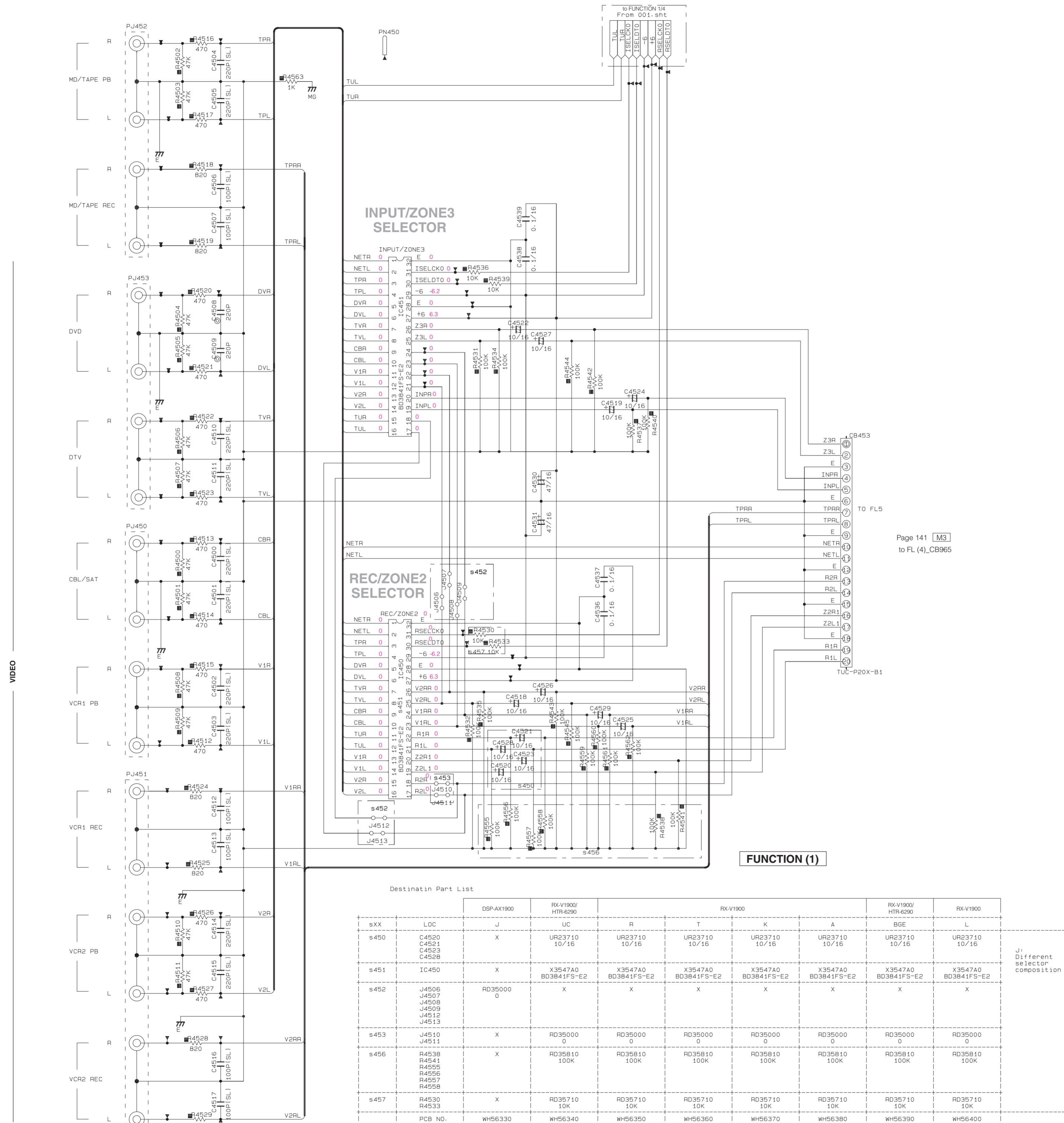


- ★ All voltages are measured with a 10MΩ/V DC electronic voltmeter.
- ★ Components having special characteristics are marked with a triangle (▲) and must be replaced with parts having specifications equal to those originally installed.
- Schematic diagram is subject to change without notice.
- 電圧は、内部抵抗10MΩの電圧計で測定したものです。
- ▲印のある部品は、安全確保部品を示しています。部品の交換が必要な場合、パーツリストに記載されている部品を使用してください。
- 本回路図は標準回路図です。改良のため予告なく変更することがございます。





FUNCTION 2/4



RESISTOR

REMARKS	PARTS NAME
NO MARK	CARBON FILM RESISTOR (P=5)
□	CARBON FILM RESISTOR (P=10)
△	METAL OXIDE FILM RESISTOR
▲	METAL FILM RESISTOR
⊠	METAL PLATE RESISTOR
■	FIRE PROOF CARBON FILM RESISTOR
□	CEMENT MOLDED RESISTOR
⊗	SEMI VARIABLE RESISTOR
■	CHIP RESISTOR

CAPACITOR

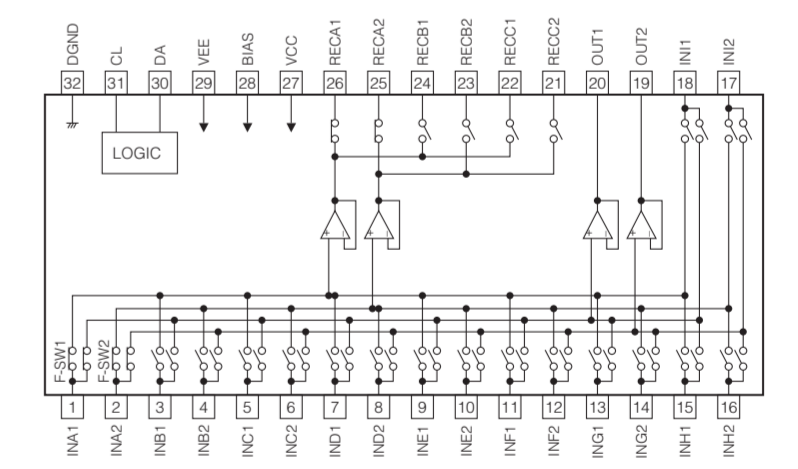
REMARKS	PARTS NAME
NO MARK	ELECTROLYTIC CAPACITOR
⊗	TANTALUM CAPACITOR
NO MARK	CERAMIC CAPACITOR
●	CERAMIC TUBULAR CAPACITOR
⊙	POLYESTER FILM CAPACITOR
○	POLYSTYRENE FILM CAPACITOR
⊖	MICA CAPACITOR
⊕	POLYPROPYLENE FILM CAPACITOR
⊗	SEMICONDUCTIVE CERAMIC CAPACITOR
⊙	POLYPHENYLENE SULFIDE FILM CAPACITOR

NOTICE (model)

(J)..... JAPAN  
 (U)..... U. S. A  
 (C)..... CANADA  
 (R)..... GENERAL  
 (T)..... CHINA  
 (K)..... KOREA  
 (A)..... AUSTRALIA  
 (B)..... BRITISH  
 (G)..... EUROPE  
 (L)..... SINGAPORE  
 (E)..... SOUTH  
 (V)..... TAIWAN  
 (F)..... RUSSIAN

Page 141 M3  
to FL (4)\_CB965

IC450, 451: BD3841FS  
Function switch



F-SW1: INPUT FUNCTION 1  
 F-SW2: INPUT FUNCTION 2

Destination Part List

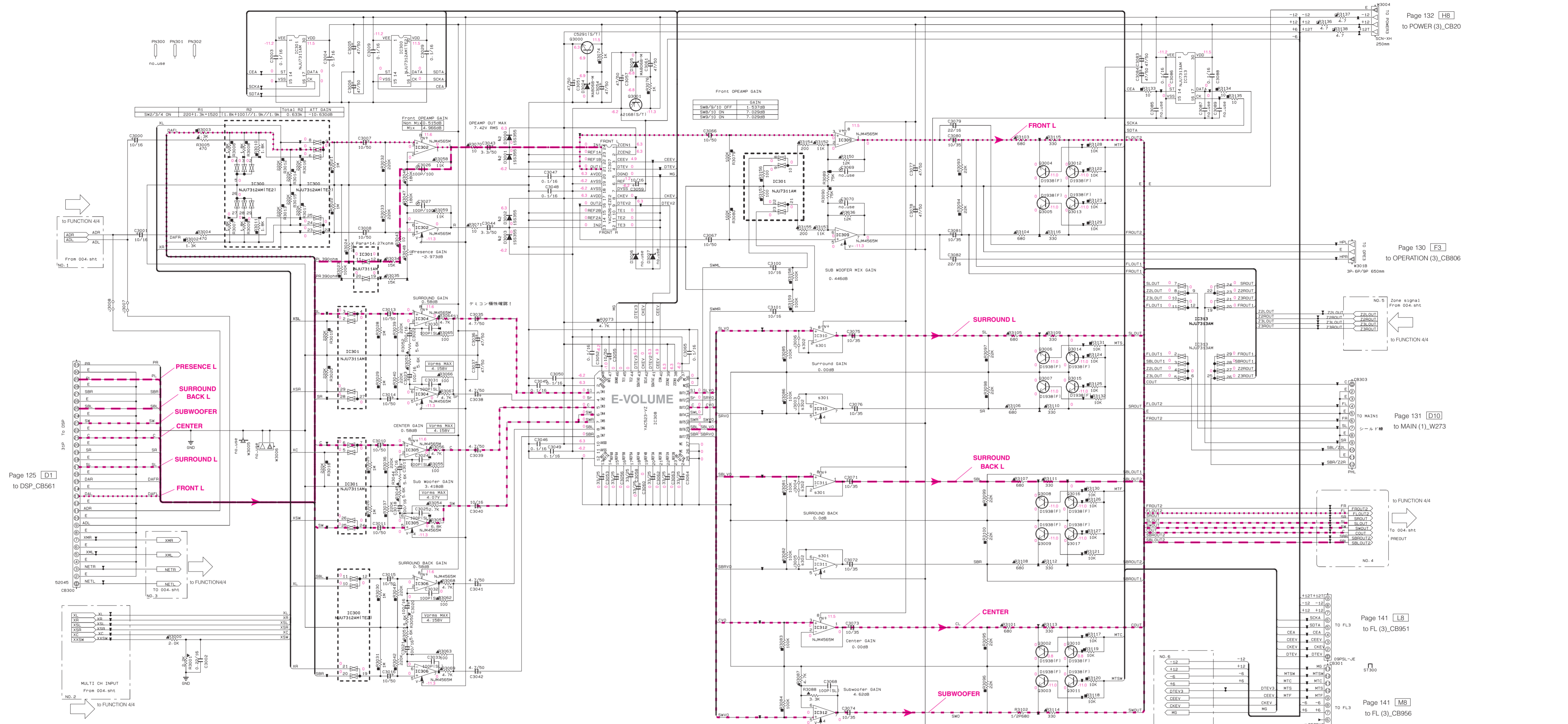
		DSP-AX1900	RX-V1900/ HTR-6290	RX-V1900	RX-V1900	RX-V1900/ HTR-6290	RX-V1900	
sXX	LOC	J	UC	R	T	K	A	L
s450	C4520 C4521 C4523 C4528	X	UR23710 10/16	UR23710 10/16	UR23710 10/16	UR23710 10/16	UR23710 10/16	UR23710 10/16
s451	IC450	X	X354740 BD3841FS-E2	X354740 BD3841FS-E2	X354740 BD3841FS-E2	X354740 BD3841FS-E2	X354740 BD3841FS-E2	X354740 BD3841FS-E2
s452	J4506 J4507 J4508 J4509 J4512 J4513		RD35000 0	X	X	X	X	X
s453	J4510 J4511	X	RD35000 0	RD35000 0	RD35000 0	RD35000 0	RD35000 0	RD35000 0
s456	R4538 R4541 R4555 R4556 R4557 R4558	X	RD35810 100K	RD35810 100K	RD35810 100K	RD35810 100K	RD35810 100K	RD35810 100K
s457	R4530 R4533	X	RD35710 10K	RD35710 10K	RD35710 10K	RD35710 10K	RD35710 10K	RD35710 10K
PCB NO.		WH56330	WH56340	WH56350	WH56350	WH56370	WH56380	WH56390

J: Different selector composition

★ All voltages are measured with a 10MΩ/V DC electronic voltmeter.  
 ★ Components having special characteristics are marked with a triangle and must be replaced with parts having specifications equal to those originally installed.  
 ★ Schematic diagram is subject to change without notice.

● 電圧は、内部抵抗10MΩの電圧計で測定したものです。  
 ● 印のある部品は、安全性確保部品を示しています。部品の交換が必要な場合、パーツリストに記載されている部品を使用してください。  
 ● 本回路図は標準回路図です。改良のため予告なく変更することがございます。

FUNCTION 3/4



Page 125 [D1] to DSP\_CB561

Page 132 [HB] to POWER (3)\_CB20

Page 130 [F3] to OPERATION (3)\_CB906

Page 131 [D10] to MAIN (1)\_W273

Page 141 [L8] to FL (3)\_CB951

Page 141 [M8] to FL (3)\_CB956

設計値 TOTAL 14dB

チャンネル	FRONT	CENTER	SURROUND	SURROUND BACK	SUB WOOFER	ZONE2 & ZONE3
設計値	0.0	12.5	1.5	14.0	0.0	0.0
調整値	0.0	14.0	0.0	14.0	0.0	0.0
合計	0.0	14.0	1.5	14.0	0.0	0.0

調整値 TOTAL 14dB

チャンネル	FRONT	CENTER	SURROUND	SURROUND BACK	SUB WOOFER	ZONE2 & ZONE3
調整値	0.0	14.0	0.0	14.0	0.0	0.0
合計	0.0	14.0	0.0	14.0	0.0	0.0

MIX部 設計値 TOTAL 4.5dB

チャンネル	P MIX FRONT	P MIX CENTER	P MIX SURROUND	SUB WOOFER MIX
設計値	4.5	3.0	0.0	0.0
調整値	4.5	3.0	0.0	0.0
合計	4.5	3.0	0.0	0.0

MIX部 調整値 TOTAL 4.5dB

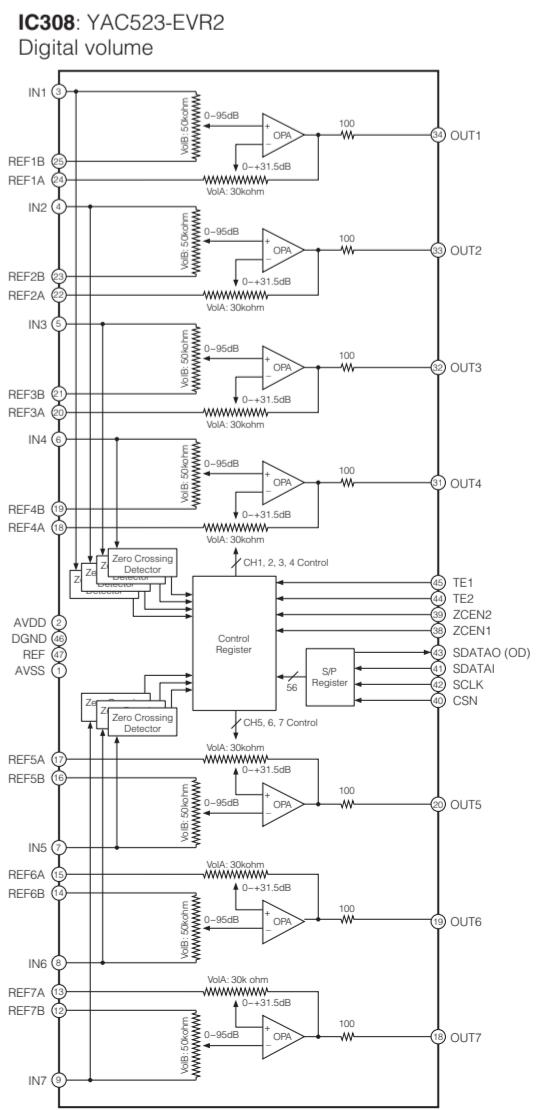
チャンネル	P MIX FRONT	P MIX CENTER	P MIX SURROUND	SUB WOOFER MIX
調整値	4.5	3.0	0.0	0.0
合計	4.5	3.0	0.0	0.0

REMARKS	PARTS_NAME	REMARKS	PARTS_NAME
NO MARK	CARBON FILM RESISTOR (P±5)	NO MARK	ELECTROLYTIC CAPACITOR
□	CARBON FILM RESISTOR (P±10)	NO MARK	TANTALUM CAPACITOR
△	METAL OXIDE FILM RESISTOR	NO MARK	CERAMIC CAPACITOR
◇	METAL FILM RESISTOR	◎	CERAMIC TUBULAR CAPACITOR
○	METAL PLATE RESISTOR	○	POLYESTER FILM CAPACITOR
◇	FIRE PROOF CARBON FILM RESISTOR	○	POLYETHYLENE FILM CAPACITOR
□	CEMENT MOLDED RESISTOR	○	MICA CAPACITOR
◇	SEMI VARIABLE RESISTOR	○	POLYPROPYLENE FILM CAPACITOR
○	CHIP RESISTOR	○	SEMICONDUCTIVE CERAMIC CAPACITOR
		○	POLYPHENYLENE SULFIDE FILM CAPACITOR

NOTICE (mode1)

(J)..... JAPAN  
 (U)..... U.S.A  
 (C)..... CANADA  
 (R)..... GENERAL  
 (T)..... CHINA  
 (K)..... KOREA  
 (A)..... AUSTRALIA  
 (B)..... BRITISH  
 (G)..... EUROPE  
 (L)..... SINGAPORE  
 (E)..... SOUTH  
 (V)..... TAIWAN  
 (F)..... RUSSIAN

FUNCTION (2)



IC300: NJU7312AM Analog function switch

IC301: NJU7311AM Analog function switch

IC302, 304-306, 309-312: NJM4558M Dual operational amplifier

IC307: YAC526-EZE2 2-channel high grade digital volume LSI

IC313: NJU7313AM Analog function switch

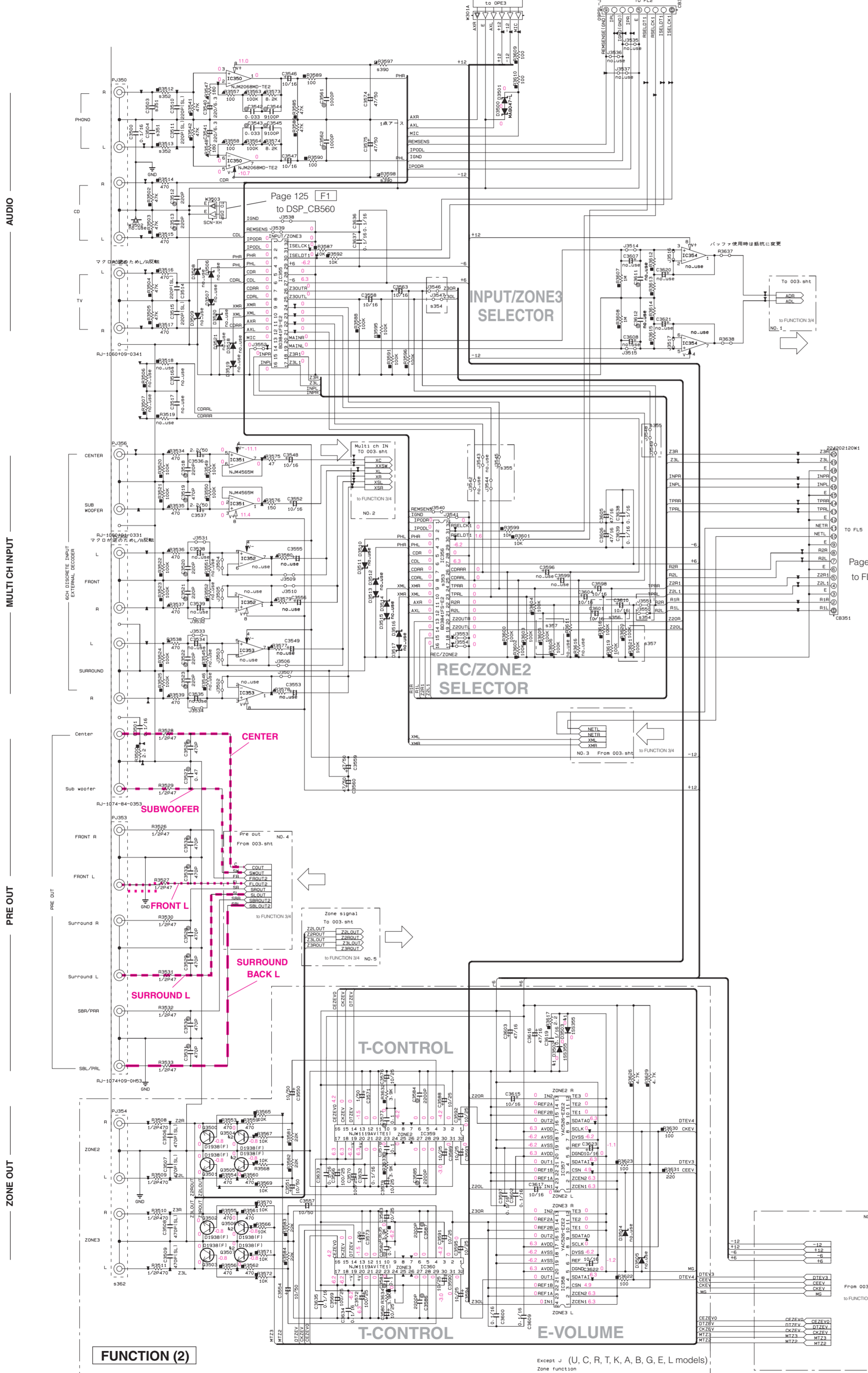
★ All voltages are measured with a 10MΩ/V DC electronic voltmeter.  
 ★ Components having special characteristics are marked 1, and must be replaced with parts having specifications equal to those originally installed.  
 ★ Schematic diagram is subject to change without notice.

●電圧は、内部抵抗10MΩの電圧計で測定したものです。  
 ●1印のある部品は、安全性確保部品を示しています。部品の交換が必要な場合、パーツリストに記載されている部品を使用してください。  
 ●本回路図は標準回路図です。改良のため予告なく変更することがございます。

FUNCTION 4/4

Page 130 [F3] to OPERATION (3)\_CB906

Page 141 [I8] to FL (2)\_CB967



FUNCTION (2)

Except (J, C, R, T, K, A, B, G, E, L models), Zone Function

Pre Amp (2)

Designator Part List table with columns for Designator, Part Name, and various model variants (J, U, C, R, T, K, A, B, G, E, L).

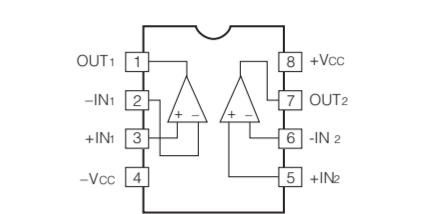
NOTICE (model)

- (J) JAPAN, (U) U.S.A., (C) CANADA, (R) GENERAL, (T) CHINA, (K) KOREA, (A) AUSTRALIA, (B) BRITISH, (E) EUROPE, (L) SINGAPORE, (E) SOUTH EUROPE, (V) TAIWAN, (F) RUSSIAN

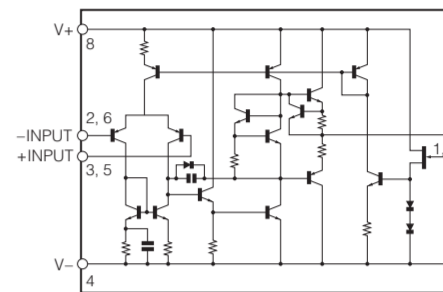
RESISTOR table with columns for Remarks and Parts Name, listing types like Carbon Film Resistor, Metal Oxide Film Resistor, etc.

CAPACITOR table with columns for Remarks and Parts Name, listing types like Electrolytic Capacitor, Tantalum Capacitor, etc.

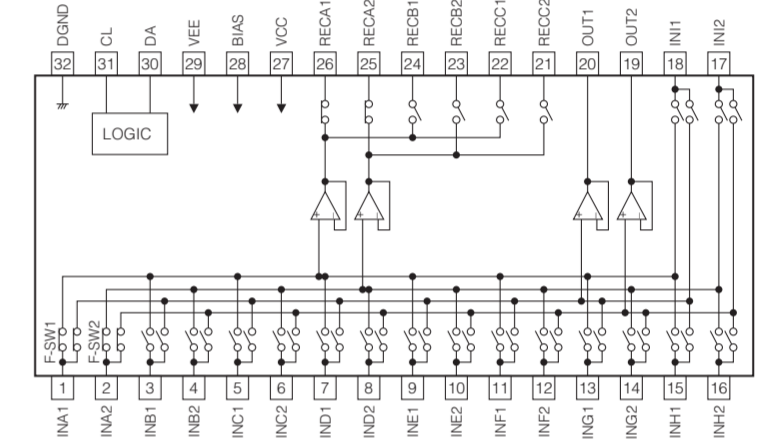
IC350: NJM2068MD-TE2 Dual operational amplifier



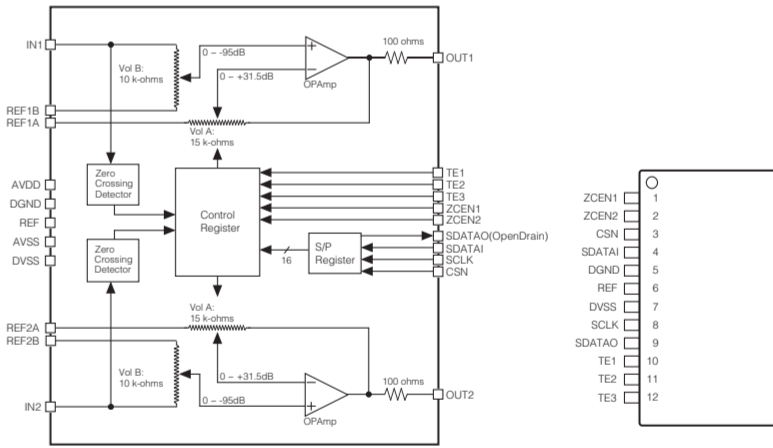
IC351: NJM4565M Dual operational amplifier



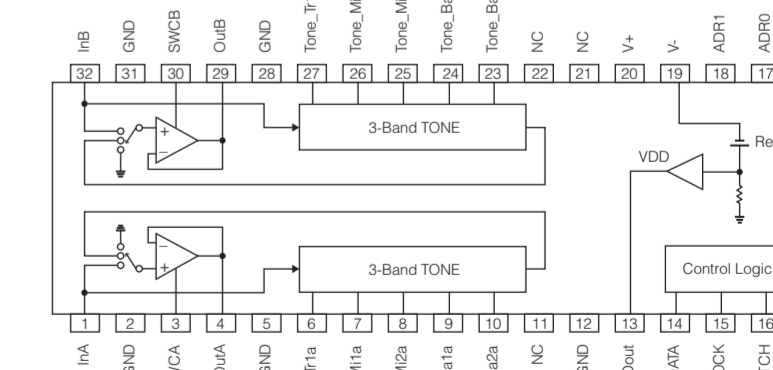
IC355, 356: BD3841FS Function switch



IC357, 358: YAC526-EZE2 2-channel high grade digital volume LSI



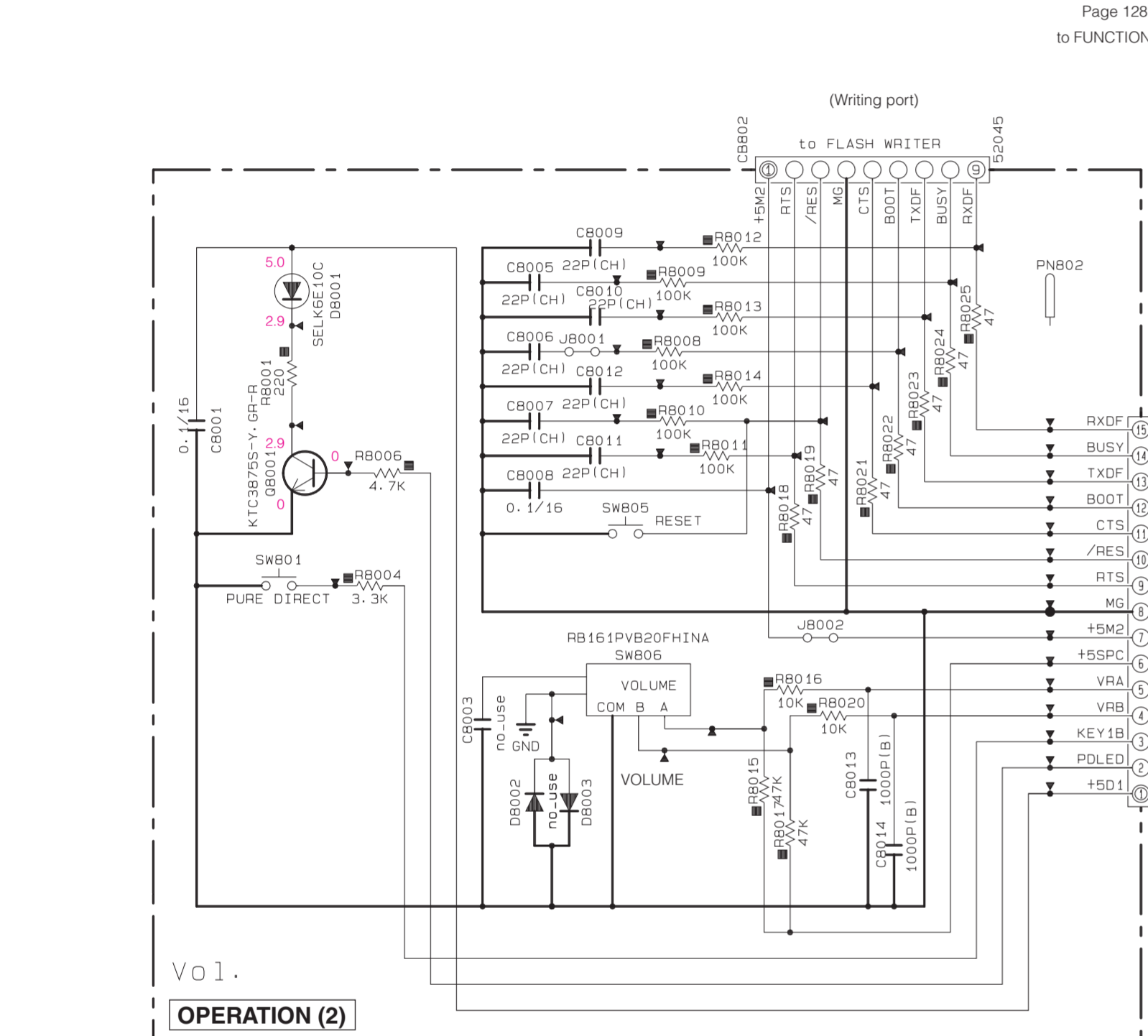
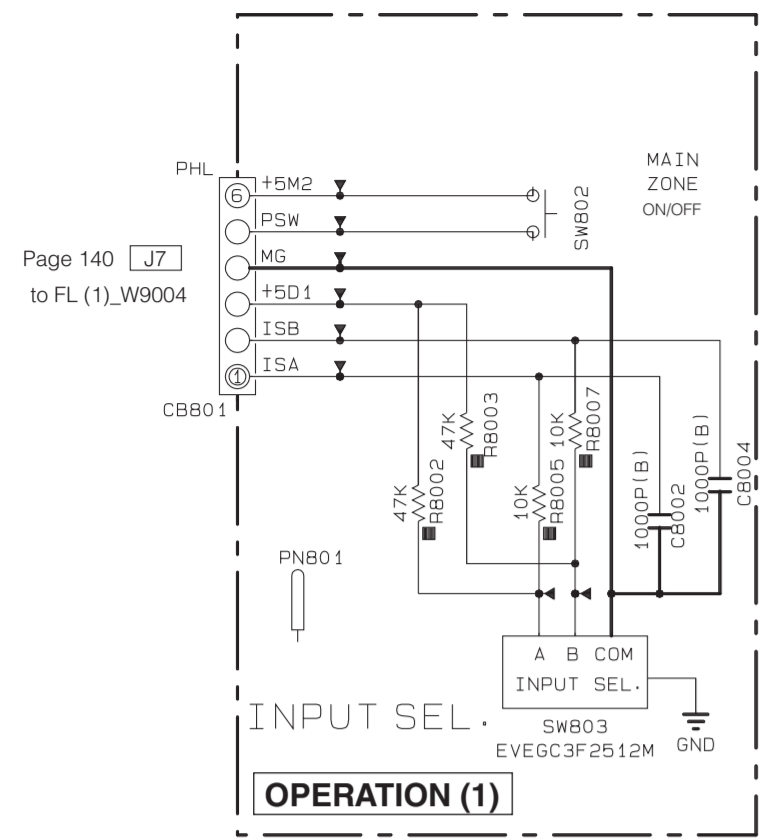
IC359, 360: NJW119AV 3-band tone control IC



\* All voltages are measured with a 10MΩ/V DC electronic voltmeter. \* Components having special characteristics are marked !, and must be replaced with parts having specifications equal to those originally installed. \* Schematic diagram is subject to change without notice.

● 電圧は、内部抵抗10MΩの電圧計で測定したものです。 ● !印のある部品は、安全確保部品を示しています。部品の交換が必要な場合、パーツリストに記載されている部品を使用してください。 ● 本回路図は標準回路図です。改良のため予告なく変更することがございます。

OPERATION



Interchangeable Parts at Manufacture-Stage

Mark	Reference Parts Number	Parts Name
&1	G8002-8003	2SD1938(F) 2SC3326(A/B) 2SC5938(A/B) 2SD2704K

Destination Part List

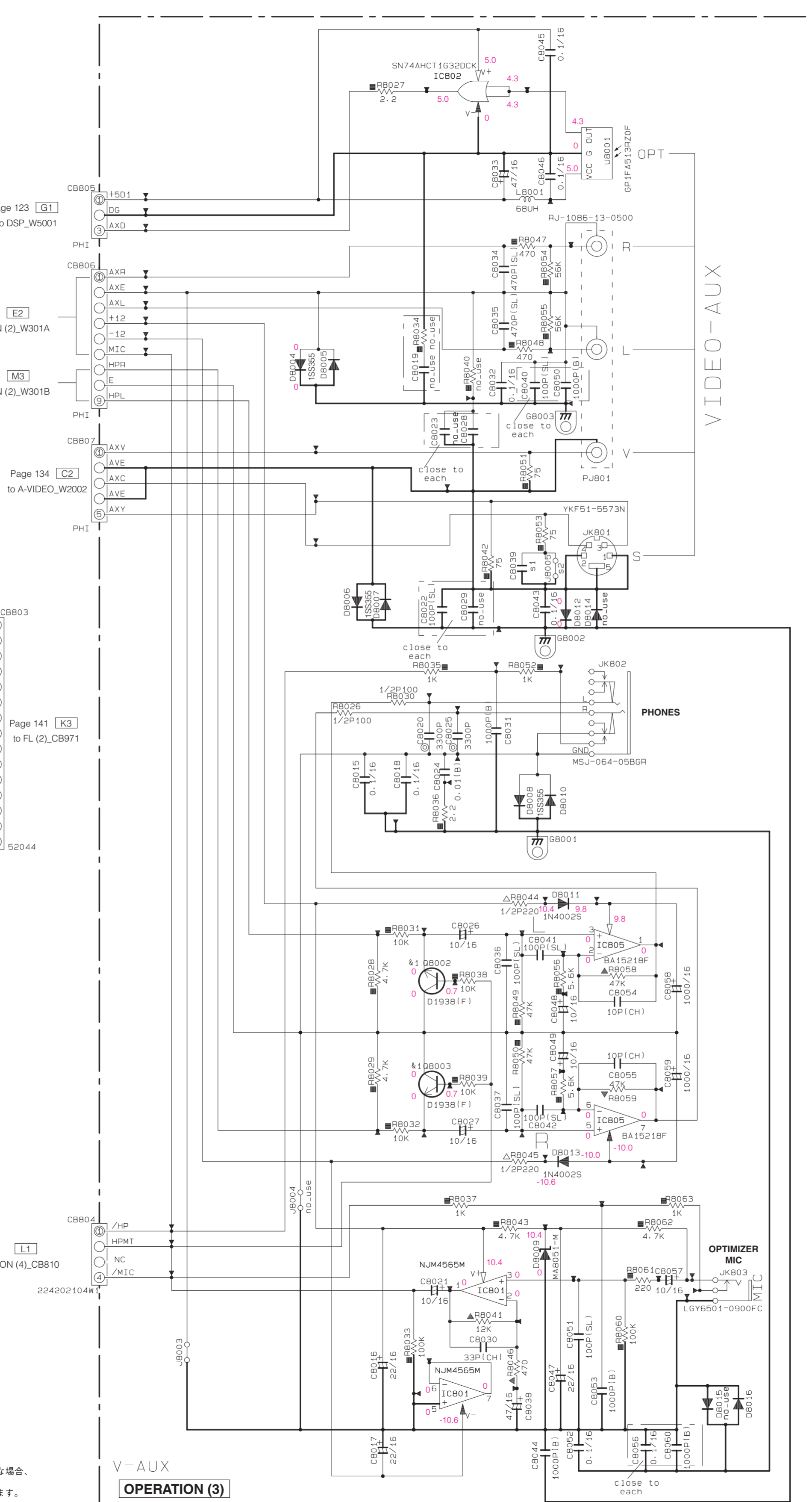
sXX	LOC	JUC	RTKLABGE
s1	CB039	US13510	X
s2	JB005	X	RD35000

\* All voltages are measured with a 10MΩ/V DC electronic voltmeter.  
 \* Components having special characteristics are marked with a triangle and must be replaced with parts having specifications equal to those originally installed.  
 \* Schematic diagram is subject to change without notice.

NOTICE (model)

(J)..... JAPAN  
 (U)..... U.S.A  
 (C)..... CANADA  
 (R)..... GENERAL  
 (T)..... CHINA  
 (K)..... KOREA  
 (A)..... AUSTRALIA  
 (B)..... BRITISH  
 (G)..... EUROPE  
 (L)..... SINGAPORE  
 (E)..... SOUTH EUROPE  
 (V)..... TAIWAN  
 (F)..... RUSSIAN

●電圧は、内部抵抗10MΩの電圧計で測定したものです。  
 ●△印のある部品は、安全性確保部品を示しています。部品の交換が必要な場合、パーツリストに記載されている部品を使用してください。  
 ●本回路図は標準回路図です。改良のため予告なく変更することがございます。

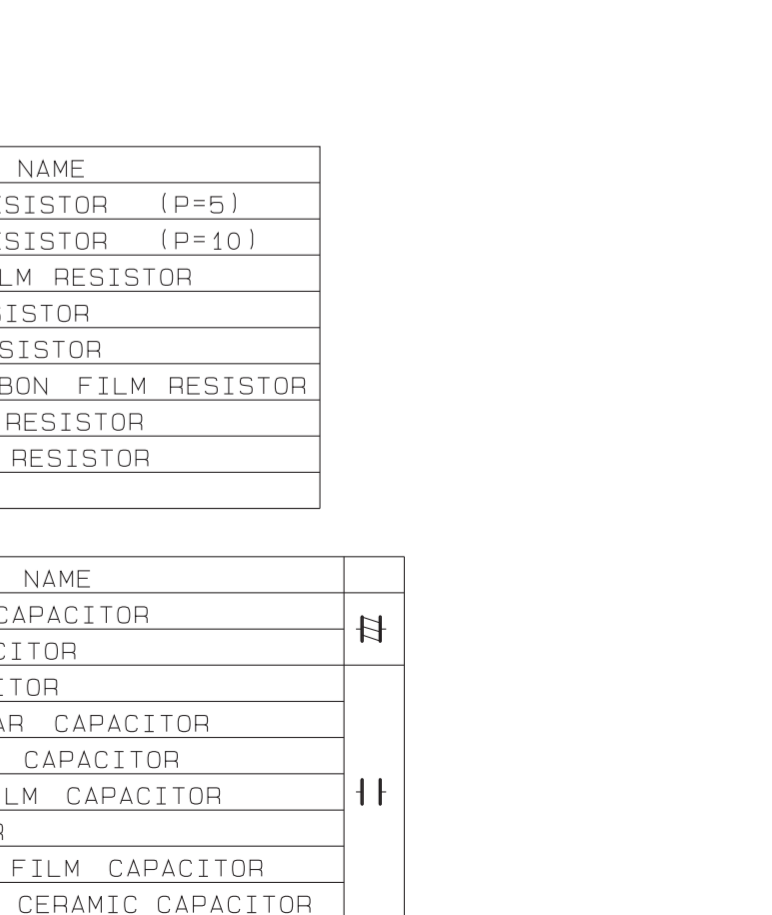
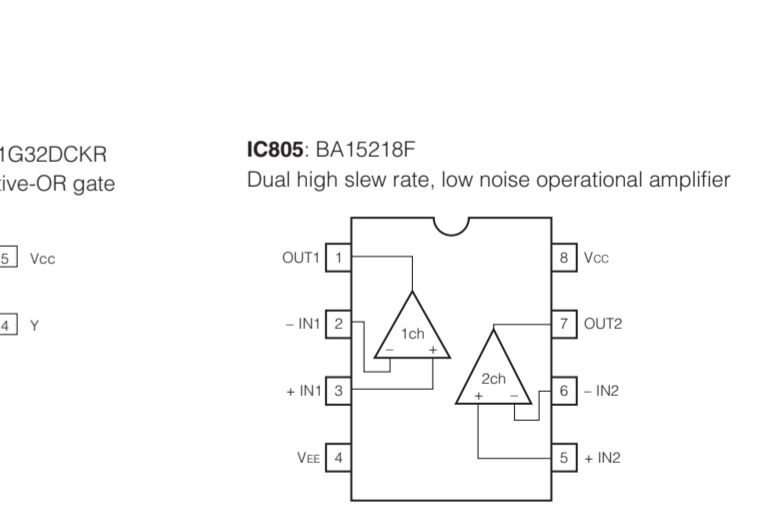
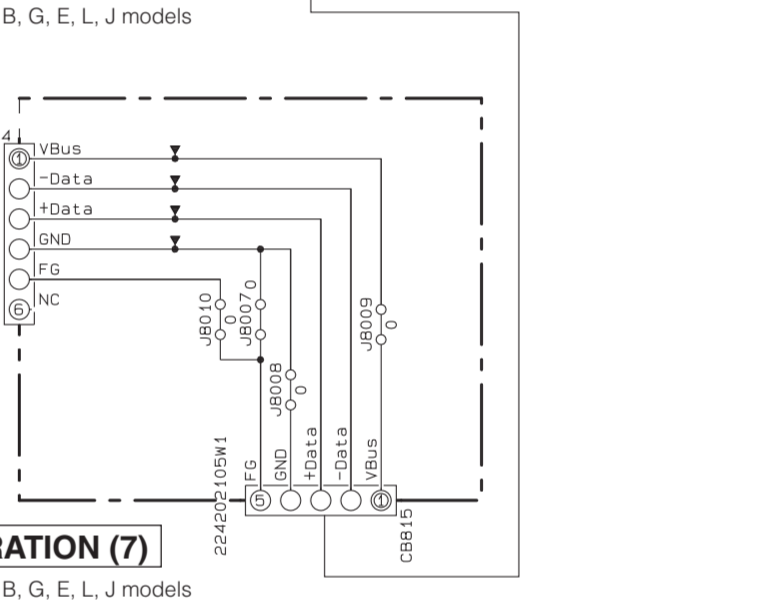
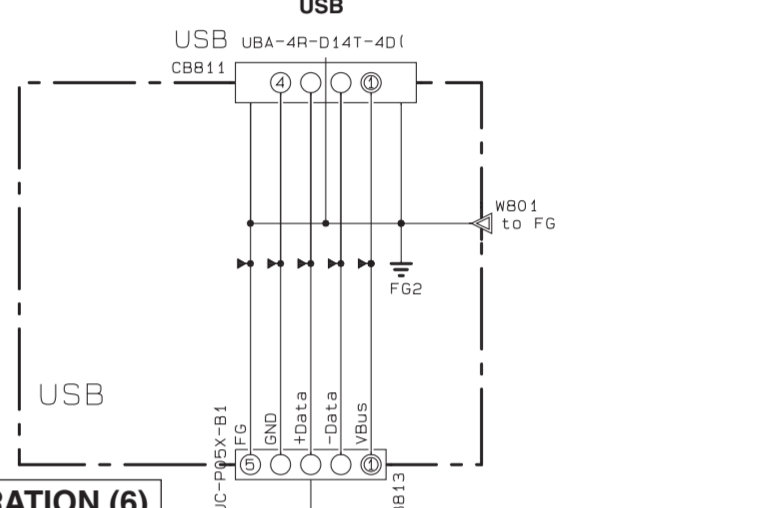
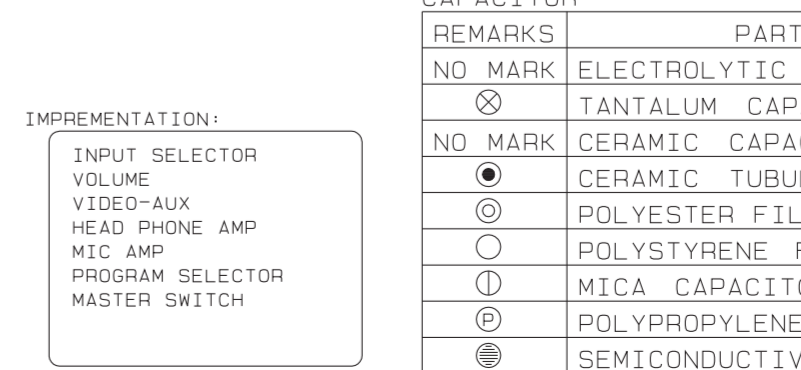
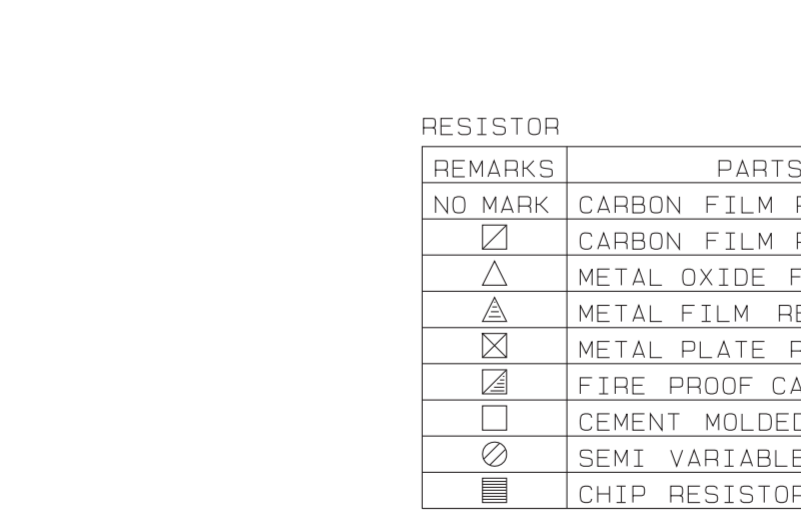
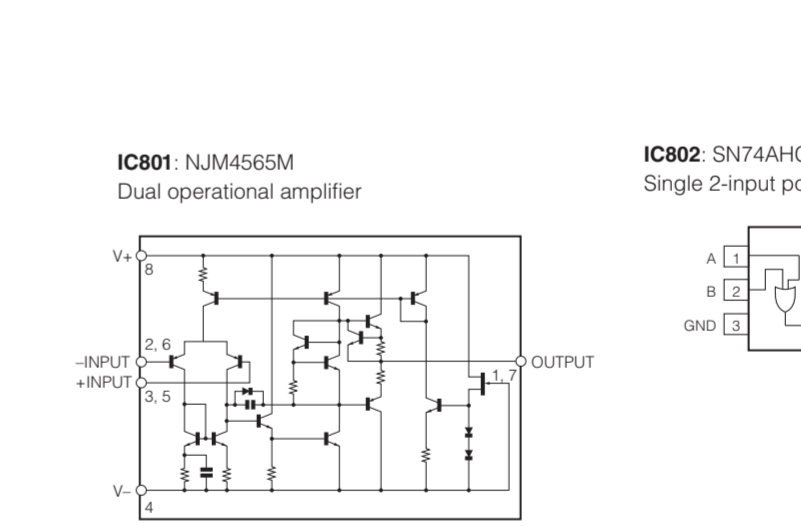
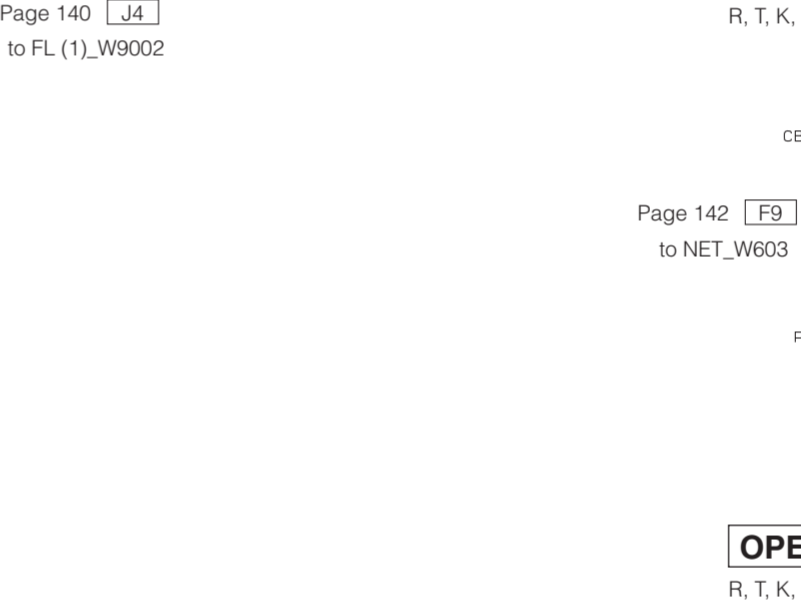
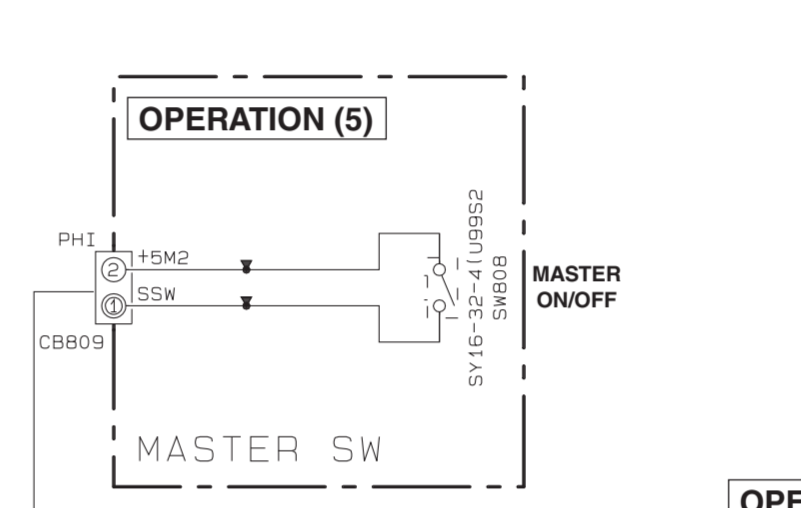
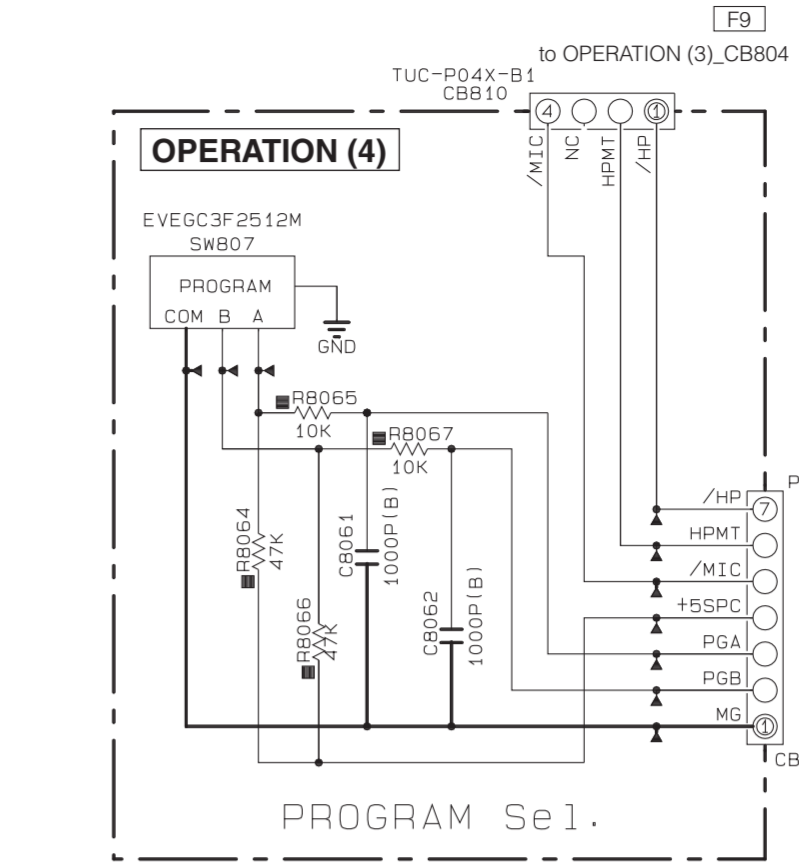


RESISTOR

REMARKS	PARTS NAME
NO MARK	CARBON FILM RESISTOR (P=5)
□	CARBON FILM RESISTOR (P=10)
△	METAL OXIDE FILM RESISTOR
▲	METAL FILM RESISTOR
⊠	METAL PLATE RESISTOR
■	FIRE PROOF CARBON FILM RESISTOR
■	CEMENT MOLDED RESISTOR
■	SEMI VARIABLE RESISTOR
■	CHIP RESISTOR

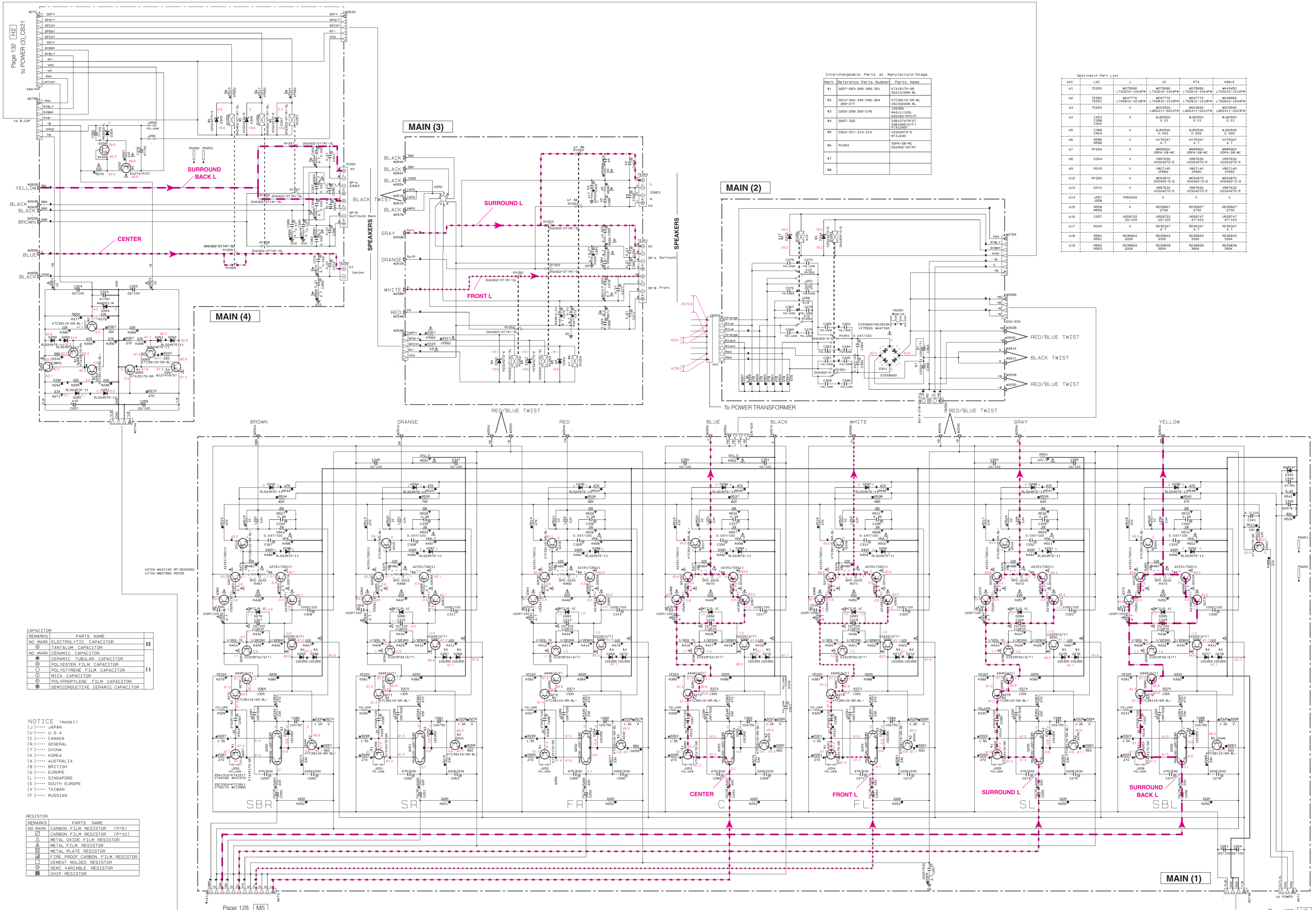
CAPACITOR

REMARKS	PARTS NAME
NO MARK	ELECTROLYTIC CAPACITOR
⊗	TANTALUM CAPACITOR
NO MARK	CERAMIC CAPACITOR
●	CERAMIC TUBULAR CAPACITOR
○	POLYESTER FILM CAPACITOR
○	POLYSTYRENE FILM CAPACITOR
○	MICA CAPACITOR
○	POLYPROPYLENE FILM CAPACITOR
○	SEMICONDUCTIVE CERAMIC CAPACITOR



IMPLEMENTATION:  
 INPUT SELECTOR  
 VOLUME  
 VIDEO-AUX  
 HEAD PHONE AMP  
 MIC AMP  
 PROGRAM SELECTOR  
 MASTER SWITCH

MAIN



Interchangeable Parts at Manufacture-Stage

Mark	Reference Parts Number	Parts Name
41	Q257-063-265-266-321	KT1A15173-GR 25A333048-BL
42	Q314-330-340-346-264 269-277	KT1C39115-GR-BL 25C33048-BL
43	Q325-256-265-276	KT1C39115-GR-BL 25C33048-BL
44	Q267-302	KT1C39115-GR-BL 25C33048-BL
45	Q302-307-313-314	KT1C39115-GR-BL 25C33048-BL
46	RY254	RY254-GR-MC DS2402-051M
47		
48		

Destination Part List

Mark	LOC	J	LC	ITA	MSLE
41	TE50	KT1A15173-GR	KT1A15173-GR	KT1A15173-GR	KT1A15173-GR
42	TE52	KT1C39115-GR-BL	KT1C39115-GR-BL	KT1C39115-GR-BL	KT1C39115-GR-BL
43	TE53	KT1C39115-GR-BL	KT1C39115-GR-BL	KT1C39115-GR-BL	KT1C39115-GR-BL
44	C03	KT1C39115-GR-BL	KT1C39115-GR-BL	KT1C39115-GR-BL	KT1C39115-GR-BL
45	C08	KT1C39115-GR-BL	KT1C39115-GR-BL	KT1C39115-GR-BL	KT1C39115-GR-BL
46	R05	RY254	RY254	RY254	RY254
47	R06				
48	R07				
49	D04				
50	R15				
51	RY250				
52	C03				
53	C08				
54	J07				
55	R05				
56	C07				
57	R34				
58	R06				
59	R07				
60	R08				

CAPACITOR

REMARKS	PARTS NAME
NO MARK	ELECTROLYTIC CAPACITOR
⊖	TANTALUM CAPACITOR
NO MARK	CERAMIC CAPACITOR
⊙	CERAMIC TUBULAR CAPACITOR
⊖	POLYESTER FILM CAPACITOR
⊖	POLYSTYRENE FILM CAPACITOR
⊖	MICA CAPACITOR
⊖	POLYPROPYLENE FILM CAPACITOR
⊖	SEMICONDUCTIVE CERAMIC CAPACITOR

NOTICE (mode1)

(J) ..... JAPAN  
 (U) ..... U.S.A  
 (C) ..... CANADA  
 (R) ..... GENERAL  
 (T) ..... CHINA  
 (K) ..... KOREA  
 (A) ..... AUSTRALIA  
 (B) ..... BRITISH  
 (G) ..... EUROPE  
 (L) ..... SINGAPORE  
 (E) ..... SOUTH EUROPE  
 (V) ..... TAIWAN  
 (F) ..... RUSSIAN

RESISTOR

REMARKS	PARTS NAME
NO MARK	CARBON FILM RESISTOR (P=5)
□	CARBON FILM RESISTOR (P=10)
△	METAL OXIDE FILM RESISTOR
▲	METAL FILM RESISTOR
⊖	METAL PLATE RESISTOR
⊖	FIRE PROOF CARBON FILM RESISTOR
⊖	CEMENT MOLDED RESISTOR
⊖	SEMI VARIABLE RESISTOR
⊖	CHTP RESISTOR

★ All voltages are measured with a 10MΩ DC electronic voltmeter.  
 ★ Components having special characteristics are marked with a triangle and must be replaced with parts having specifications equal to those originally installed.  
 ★ Schematic diagram is subject to change without notice.

● 電圧は、内部抵抗10MΩの電圧計で測定したものです。  
 ● 印のある部品は、安全確保部品を示しています。部品の交換が必要な場合、パーツリストに記載されている部品を使用してください。  
 ● 本回路図は標準回路図です。改良のため予告なく変更することがございます。

POWER

NOTICE (model)
(J)..... JAPAN
(U)..... U.S.A.
(C)..... CANADA
(G)..... GENERAL
(T)..... CHINA
(K)..... KOREA
(A)..... AUSTRALIA
(B)..... BRITISH
(D)..... EUROPE
(L)..... LONDON
(E)..... SOUTH EUROPE
(V)..... VENEZUELA
(F)..... RUSSIAN

Table with 2 columns: PARTS NAME, PARTS NAME. Lists various resistor types like CARBON FILM RESISTOR, METAL OXIDE FILM RESISTOR, etc.

Table with 2 columns: PARTS NAME, PARTS NAME. Lists various capacitor types like ELECTROLYTIC CAPACITOR, FANTAILOR CAPACITOR, etc.

Table with 3 columns: Mark, Reference Parts Number, Parts Name. Lists interchangeable parts at manufacture stage.

Page 140 [A5]
to FL (1)\_W9001
To PCB-FL
(Front Panel)

Page 126 [F8]
to FUNCTION (1)\_CB407
(U-COM)
To FUNC

Page 131 [B1]
to MAIN (4)\_W272
To PCB-MAIN

Page 139 [L7]
to D-VIDEO\_CB188
To PCB-DVIDEO

Page 134 [I3]
to A-VIDEO\_W2001
To PCB-AVIDEO

Page 124 [I1]
to DSP\_W5301
To PCB-DSP

Page 124 [K1]
to DSP\_W5302
To PCB-DSP

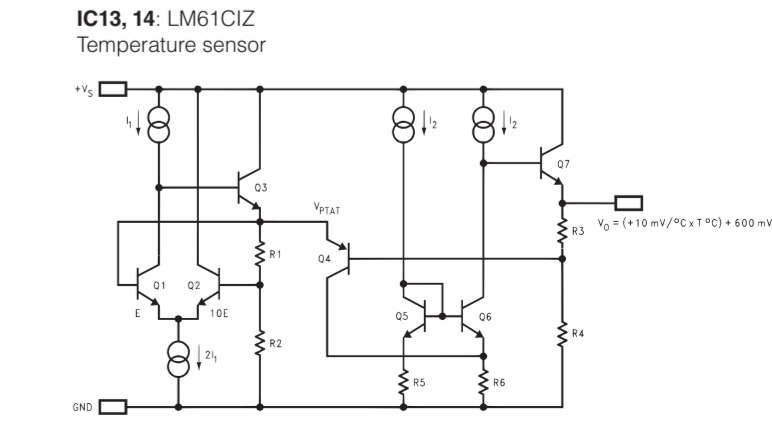
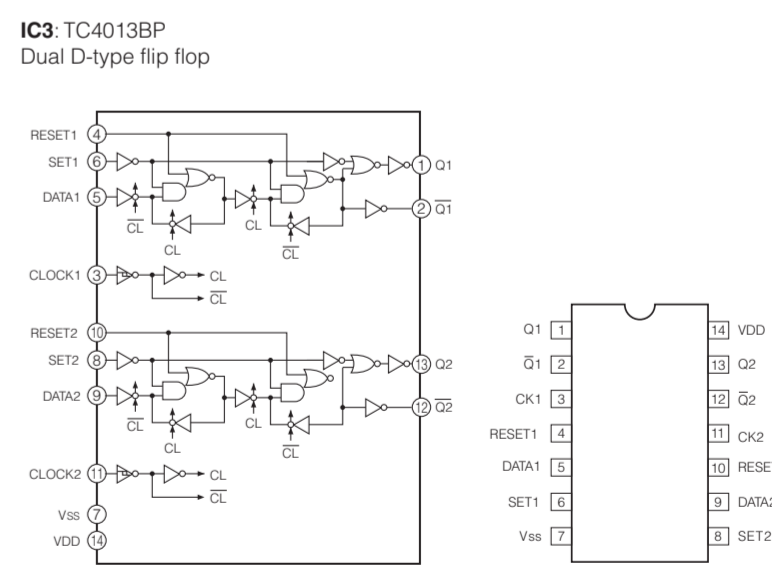
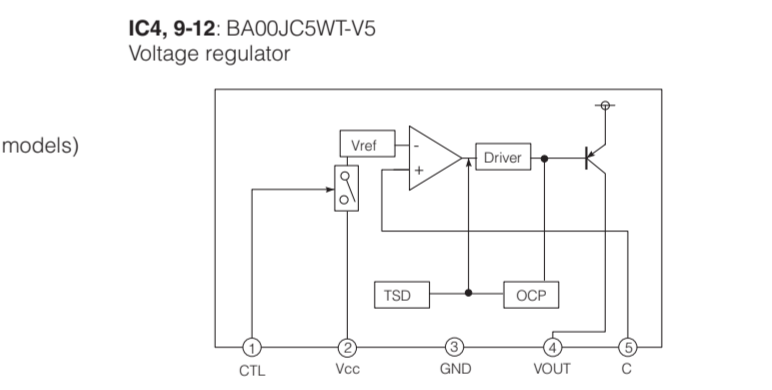
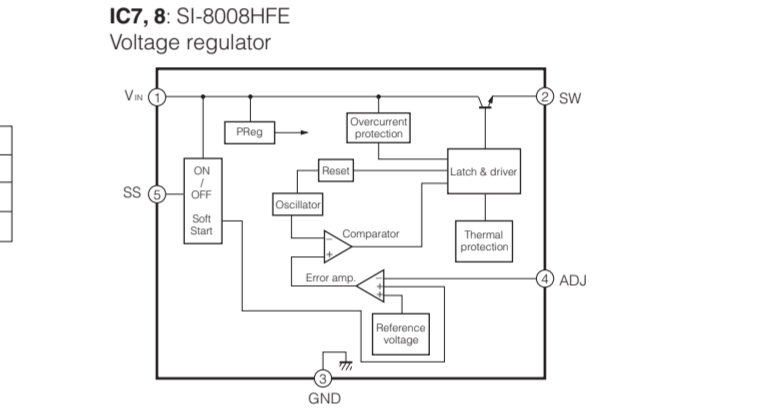
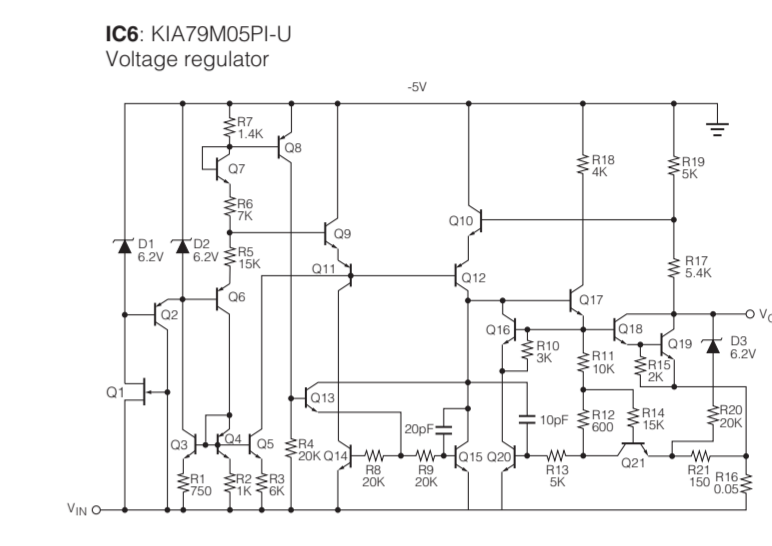
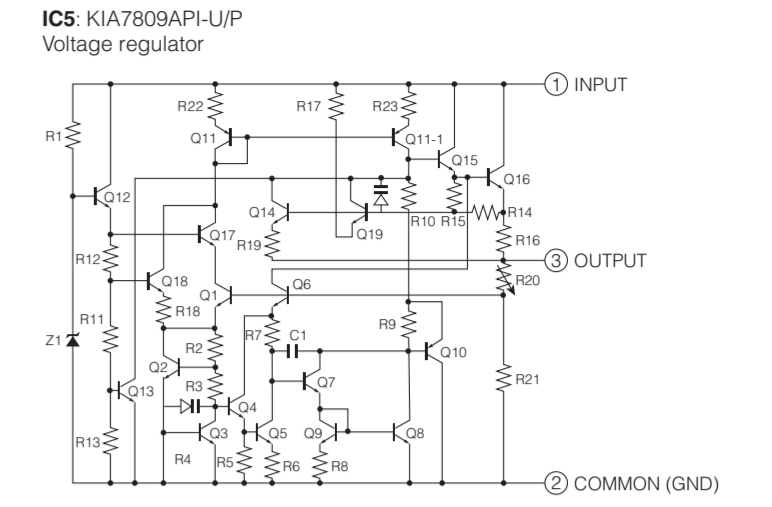
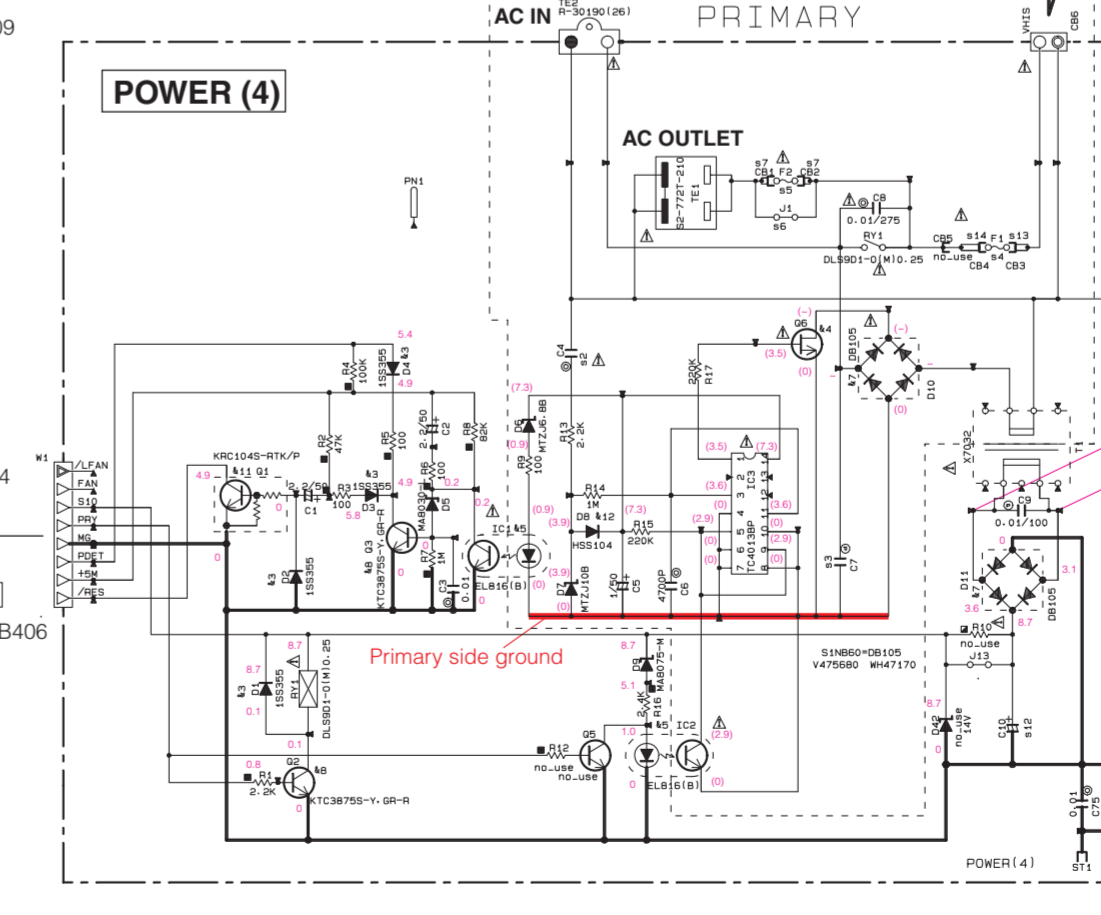
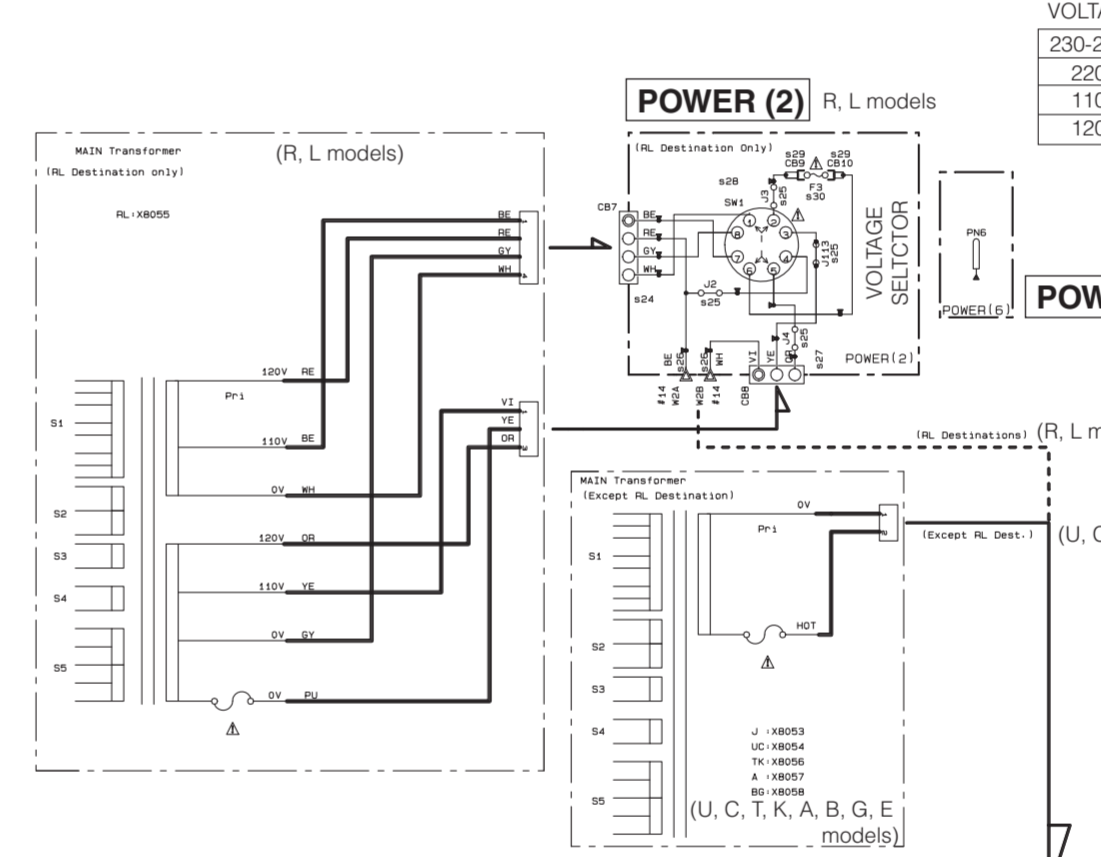
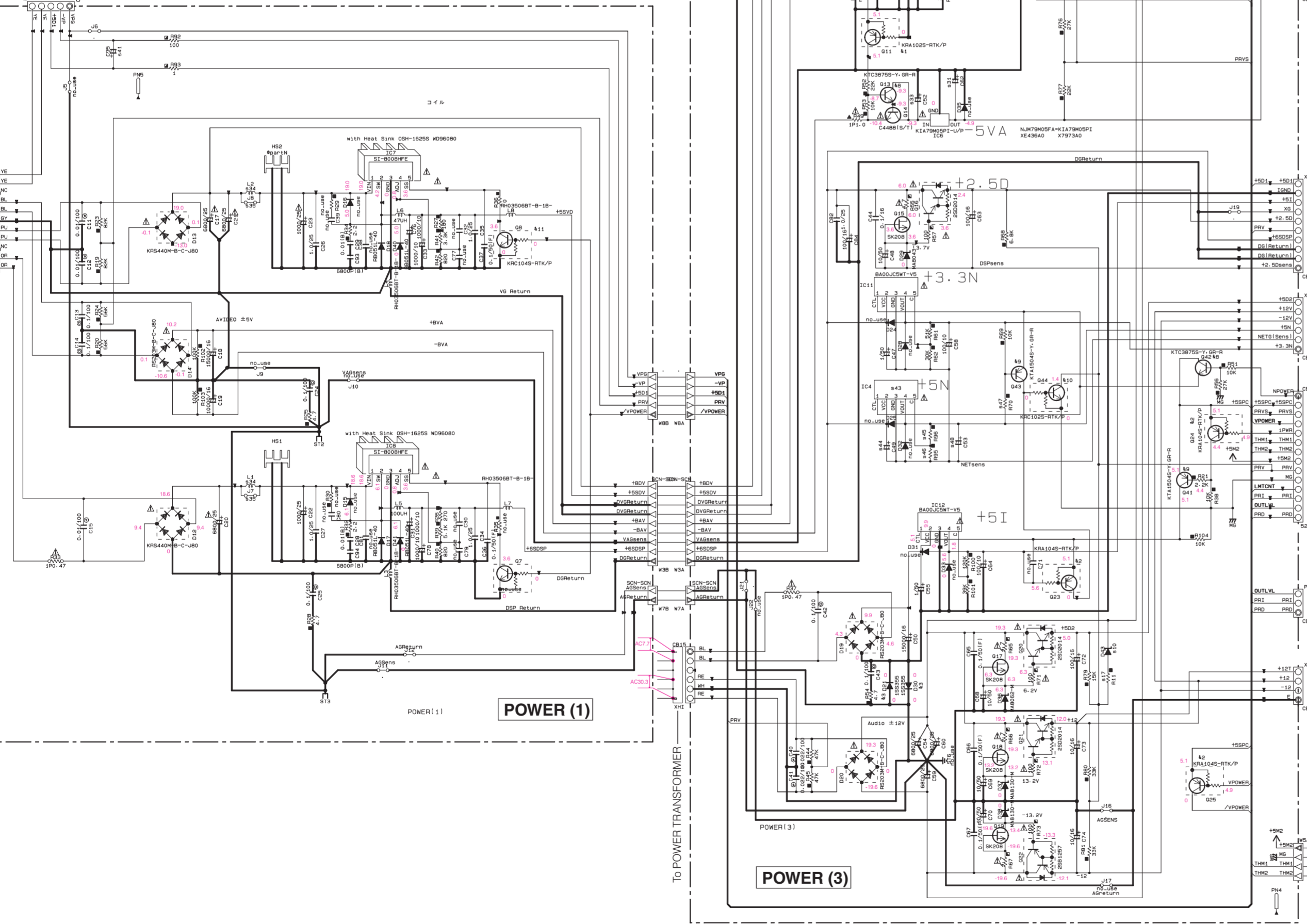
Page 126 [H8]
to FUNCTION (1)\_CB409
To PCB-FUNC
(u-COM)

Page 131 [N10]
to MAIN (1)\_W271
To PCB-FUNC
(Pre Amp)

Page 128 [M1]
to FUNCTION (2)\_W3004
To PCB-FUNC
(u-COM)

Page 126 [D8]
to FUNCTION (1)\_CB406
To PCB-FUNC
(u-COM)

Large table with multiple columns (A-L) and rows (82-848) listing component specifications and part numbers.



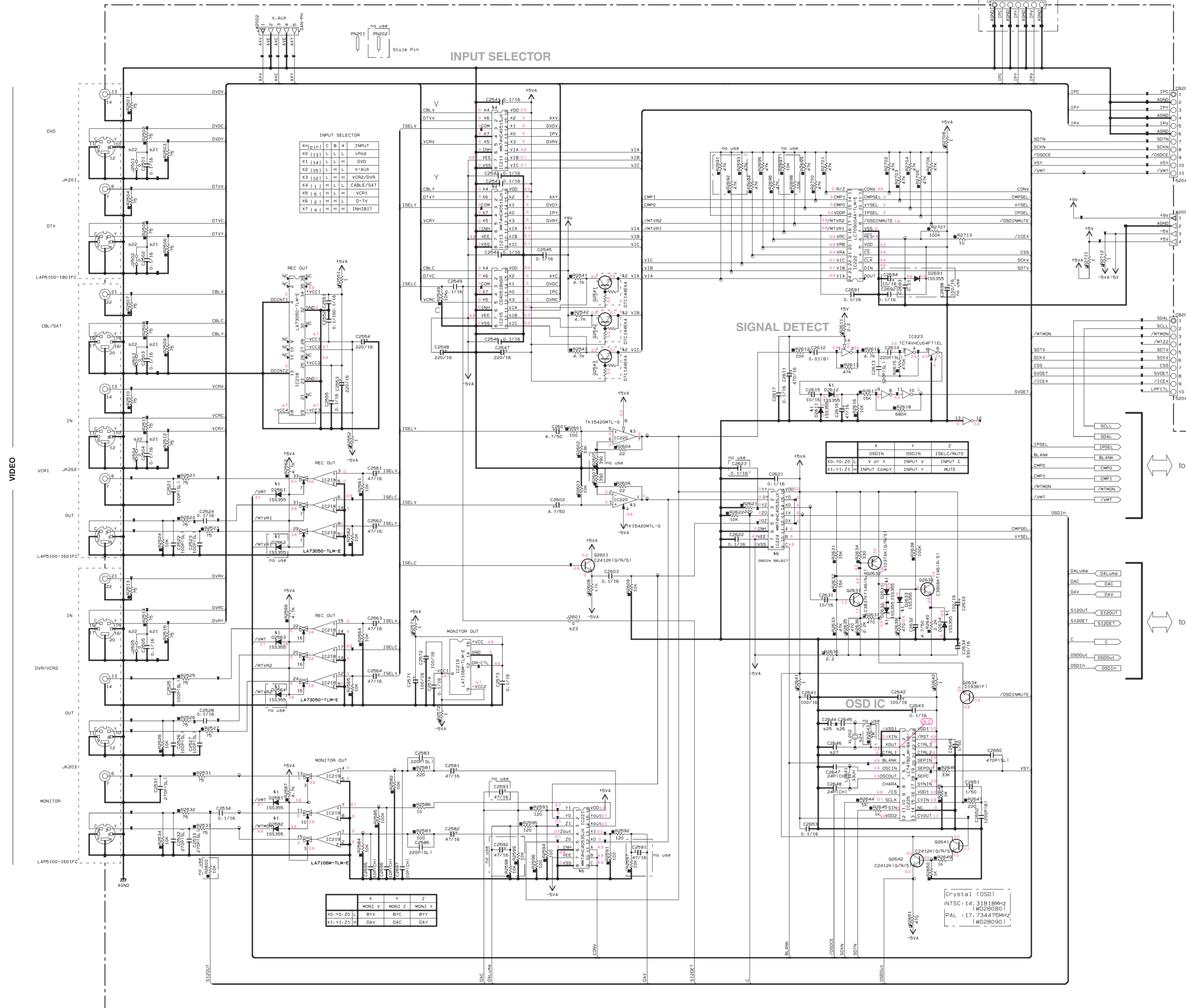
\* All voltages are measured with a 10MΩ/V DC electronic voltmeter.
\* Components having special characteristics are marked with a triangle and must be replaced with parts having specifications equal to those originally installed.
\* Schematic diagram is subject to change without notice.

● 電圧は、内部抵抗10MΩの電圧計で測定したものです。
● 印のある部品は、安全性確保部品を示しています。部品の交換が必要な場合、パーツリストに記載されている部品を使用してください。
● 本回路図は標準回路図です。改良のため予告なく変更することがございます。



A-VIDEO 2/2

Page 130 [F4] to OPERATION (3)\_CB807



Page 126 [H8] to FUNCTION (1)\_CB410

Page 132 [H5] to POWER (3)\_CB23

Page 139 [L4] to D-VIDEO\_CB185

to A-VIDEO 1/2

to A-VIDEO 1/2

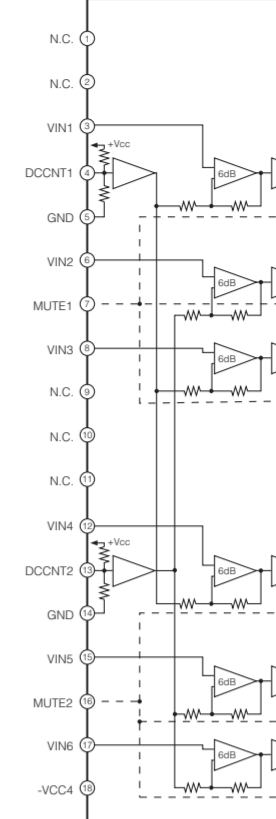
1	VCC	2Y	VCC	3Y	VCC
2	VCC	2Y	VCC	3Y	VCC
3	VCC	2Y	VCC	3Y	VCC
4	VCC	2Y	VCC	3Y	VCC
5	VCC	2Y	VCC	3Y	VCC
6	VCC	2Y	VCC	3Y	VCC
7	VCC	2Y	VCC	3Y	VCC
8	VCC	2Y	VCC	3Y	VCC
9	VCC	2Y	VCC	3Y	VCC
10	VCC	2Y	VCC	3Y	VCC
11	VCC	2Y	VCC	3Y	VCC

NOTICE (mode1)  
 (J) JAPAN  
 (U) U.S.A  
 (C) CANADA  
 (R) GENERAL  
 (T) CHINA  
 (K) KOREA  
 (A) AUSTRALIA  
 (B) BRITISH  
 (G) EUROPE  
 (L) SINGAPORE  
 (E) SOUTH EUROPE  
 (V) TAIWAN  
 (F) RUSSIAN

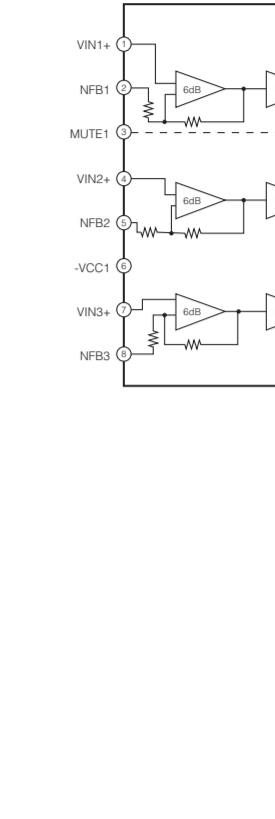
REMARKS	PARTS NAME
NO MARK	CARBON FILM RESISTOR (P=5)
□	CARBON FILM RESISTOR (P=10)
△	METAL OXIDE FILM RESISTOR
○	METAL FILM RESISTOR
□	METAL PLATE RESISTOR
□	FIRE PROOF CARBON FILM RESISTOR
□	CEMENT MOLDED FILM RESISTOR
□	SEMI VARIABLE RESISTOR
□	CHIP RESISTOR

REMARKS	PARTS NAME
NO MARK	ELECTROLYTIC CAPACITOR
□	TANTALUM CAPACITOR
NO MARK	CERAMIC CAPACITOR
○	CERAMIC TUBULAR CAPACITOR
○	POLYESTER FILM CAPACITOR
○	POLYSTYRENE FILM CAPACITOR
○	MICA CAPACITOR
○	POLYPROPYLENE FILM CAPACITOR
○	SEMICONDUCTIVE CERAMIC CAPACITOR
○	POLYETHYLENE SULFIDE FILM CAPACITOR

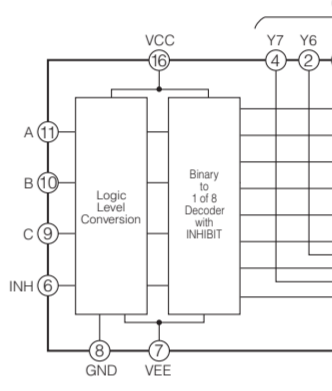
IC218: LA73050-TLM-E Analog dual operational amplifier



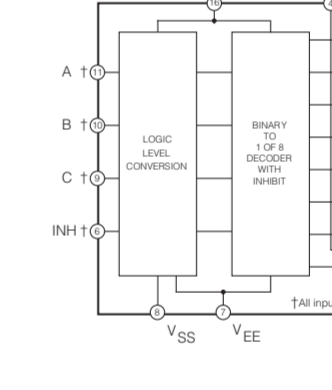
IC219: LA7106M-TLM-E Analog dual operational amplifier



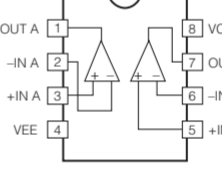
IC211, 213: MM74HC4051SJX 8-channel analog multiplexer



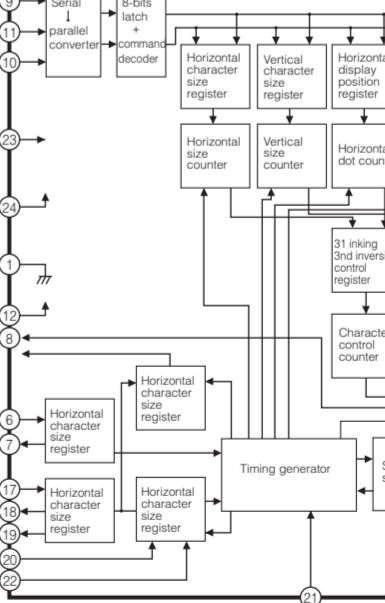
IC215: CD4051BNSR Single 8-channel multiplexer



IC220: TK15420M Video amplifier



IC225: LC74782JM-8A16-TLMC The on-screen display controller LSI



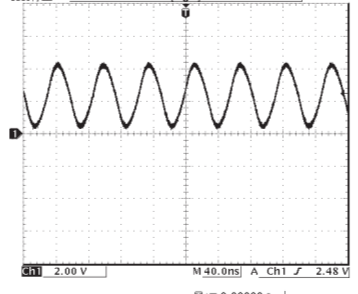
VSS1	1	24	VDD1
XtalIn	2	23	RST
XtalOut	3	22	CTRL3
CTAL1	4	21	CTRL2
BLANK	5	20	SEPN
OSCON	6	19	SEPN
OSCOU	7	18	SEPC
CHARA	8	17	SYNN
CS	9	16	VDD1
SKL	10	15	CVN
SN	11	14	N/C
VDD2	12	13	CVOUT

★ All voltages are measured with a 10MΩ/V DC electronic voltmeter.  
 ★ Components having special characteristics are marked \* and must be replaced with parts having specifications equal to those originally installed.  
 ★ Schematic diagram is subject to change without notice.

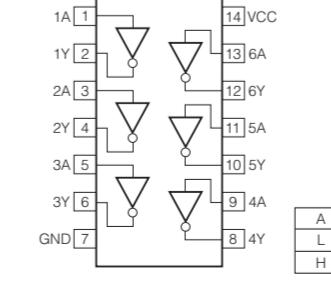
● 電圧は、内部抵抗10MΩの電圧計で測定したものです。  
 ● \*印のある部品は、安全性確保部品を示しています。部品の交換が必要な場合、パーツリストに記載されている部品を使用してください。  
 ● 本回路図は標準回路図です。改良のため予告なく変更することがございます。

Destination Part List	U.C	U.C	U.C	U.C	U.C
s21	C801	U13810	U13810	X	X
s22	J801	R035000	R035000	X	X
s23	J802	R035000	R035000	X	X
s24	XL202	WD28090	WD28090	WD28090	WD28090
s25	C844	U06112	U06112	U06112	U06112
s26	C845	U06112	U06112	U06112	U06112
s27	C846	U06090	U06090	U06090	U06090

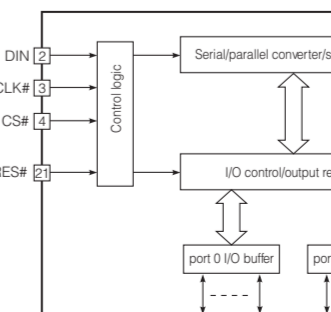
POINT (A-2) XL202 (Pin 3 of IC225)



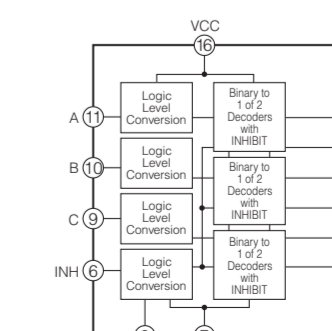
IC223: TC74VHC04FT Hex inverters



IC222: LC70900A-TLM-E I/O-expander for microcontroller

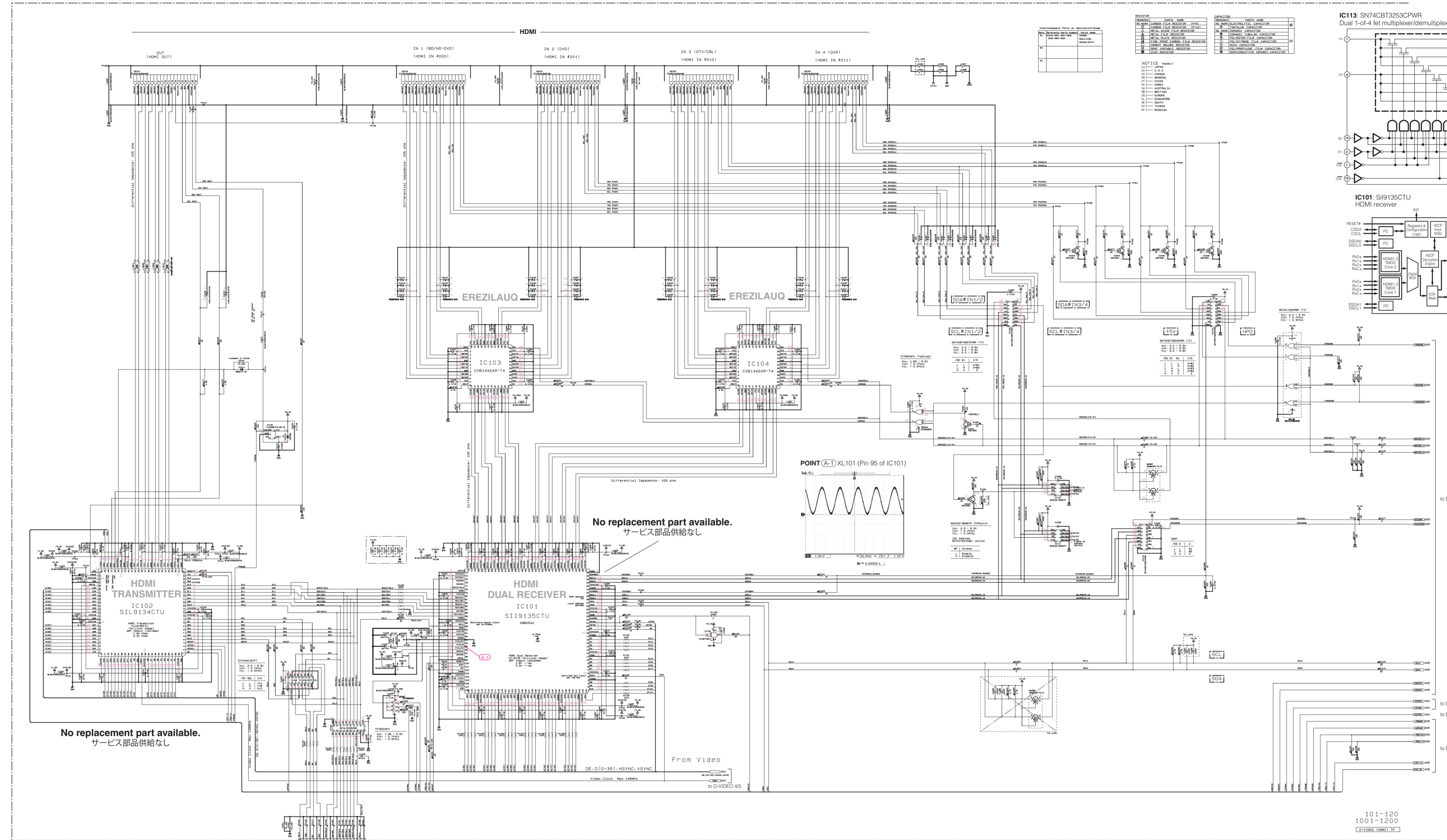


IC221, 224: MM74HC4053SJX Triple 2-channel analog multiplexer

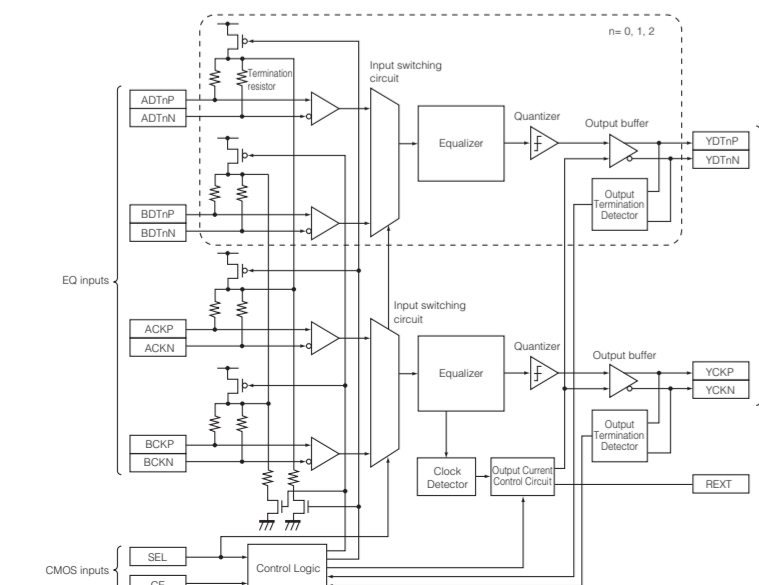




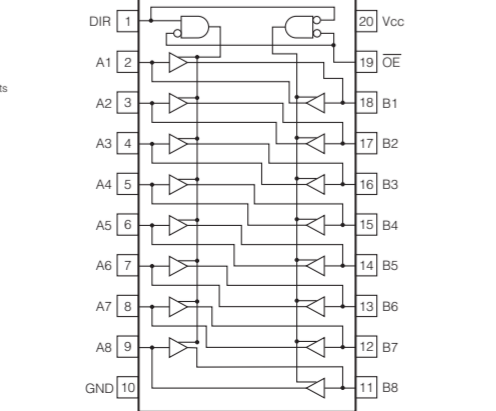
D-VIDEO 1/5



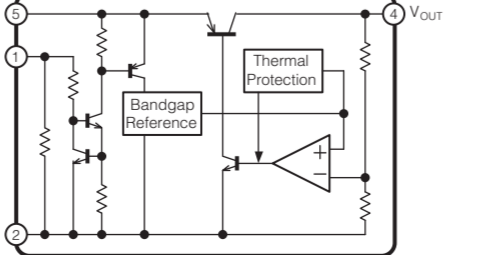
IC103, 104: CXB1442AR-T4  
Cable equalizer with 2-system switching function



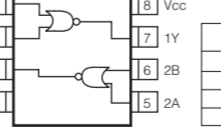
IC105: SN74LVC245APWR  
Octal bus transceivers with 3-state outputs



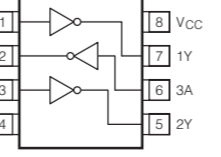
IC106: NJM2867F3-05  
Low dropout voltage regulator



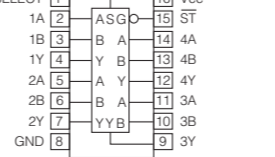
IC114: TC7W202FK  
2 input nor gate



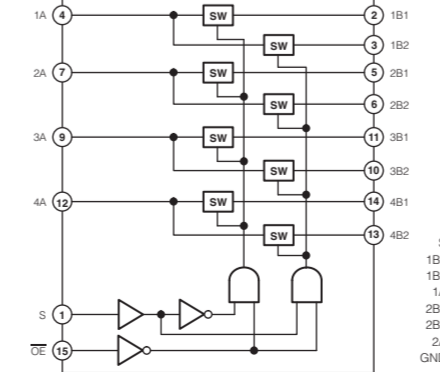
IC107: TC7W204FK  
Triple inverter



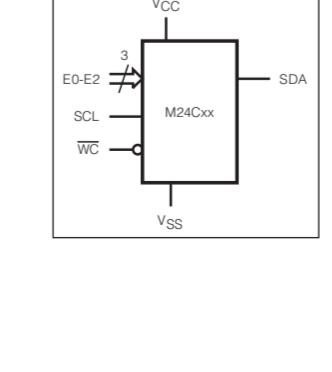
IC108: TC74VHC157FT  
Quad 2-channel multiplexer



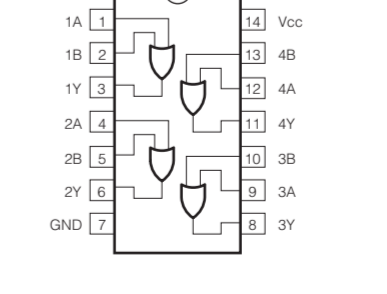
IC109, 112: SN74CBT3257CPWR  
4-bit 1-of-2 1et multiplexer/demultiplexer



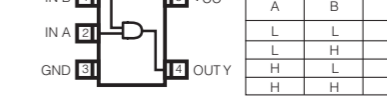
IC110, 111: M24C02-WD6TP  
2 K-bit serial I2C bus EEPROM



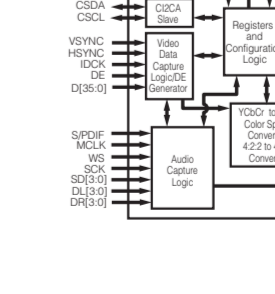
IC115: SN74LV32APWR  
Quaduple 2-input positive-OR gates



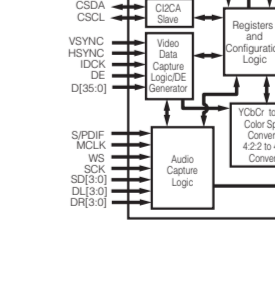
IC116: TC7SET08FU  
2 input AND gate



IC102: SIL9134CTU  
HDMI transmitter



IC101: SII9135CTU  
HDMI receiver

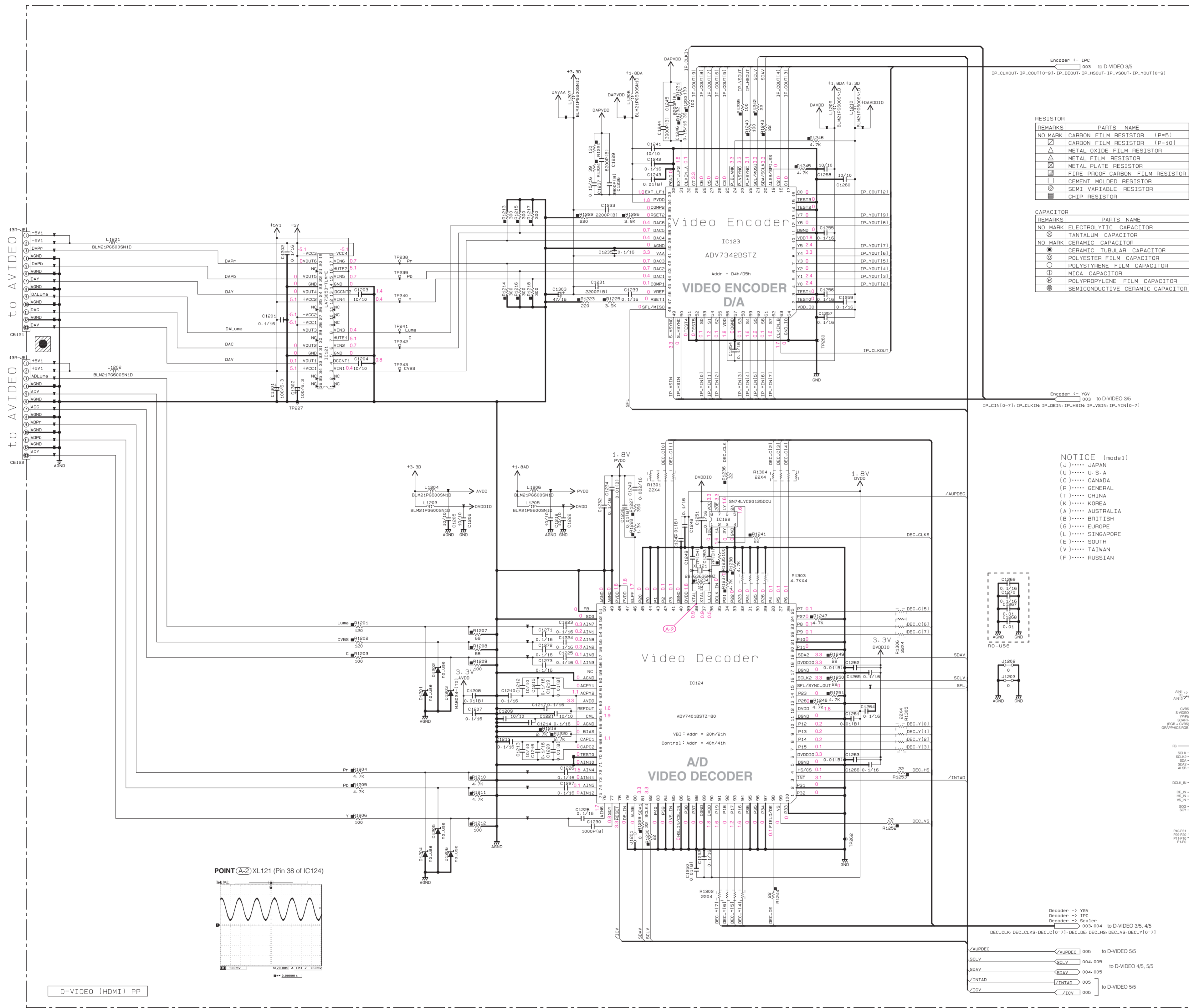


★ All voltages are measured with a 10MΩ/V DC electronic voltmeter.  
 ★ Components having special characteristics are marked with a triangle (▲), and must be replaced with parts having specifications equal to those originally installed.  
 ★ Schematic diagram is subject to change without notice.

● 電圧は、内部抵抗10MΩの電圧計で測定したものです。  
 ● ▲印のある部品は、安全性確保部品を示しています。部品の交換が必要な場合、パーツリストに記載されている部品を使用してください。  
 ● 本回路図は標準回路図です。改良のため予告なく変更することがございます。

101-120  
1001-1200  
D-VIDEO (HDMI) 1/5

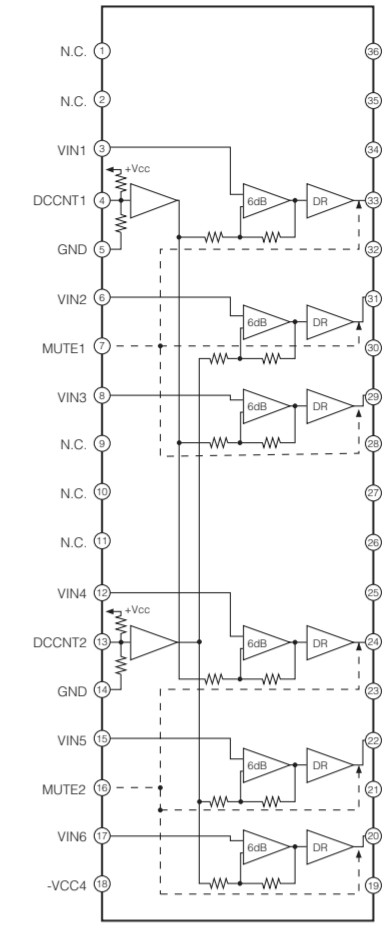
D-VIDEO 2/5



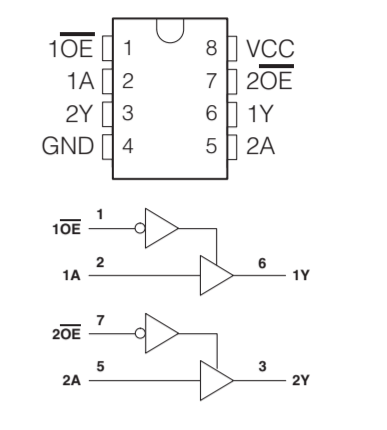
REMARKS	PARTS NAME
NO MARK	CARBON FILM RESISTOR (P=5)
□	CARBON FILM RESISTOR (P=10)
△	METAL OXIDE FILM RESISTOR
▲	METAL FILM RESISTOR
■	METAL PLATE RESISTOR
⊞	FIRE PROOF CARBON FILM RESISTOR
⊚	CEMENT MOLDED RESISTOR
⊙	SEMI VARIABLE RESISTOR
⊛	CHIP RESISTOR

REMARKS	PARTS NAME
NO MARK	ELECTROLYTIC CAPACITOR
⊖	TANTALUM CAPACITOR
NO MARK	CERAMIC CAPACITOR
⊙	CERAMIC TUBULAR CAPACITOR
⊚	POLYESTER FILM CAPACITOR
⊖	POLYSTYRENE FILM CAPACITOR
⊖	MICA CAPACITOR
⊖	POLYPROPYLENE FILM CAPACITOR
⊖	SEMICONDUCTIVE CERAMIC CAPACITOR

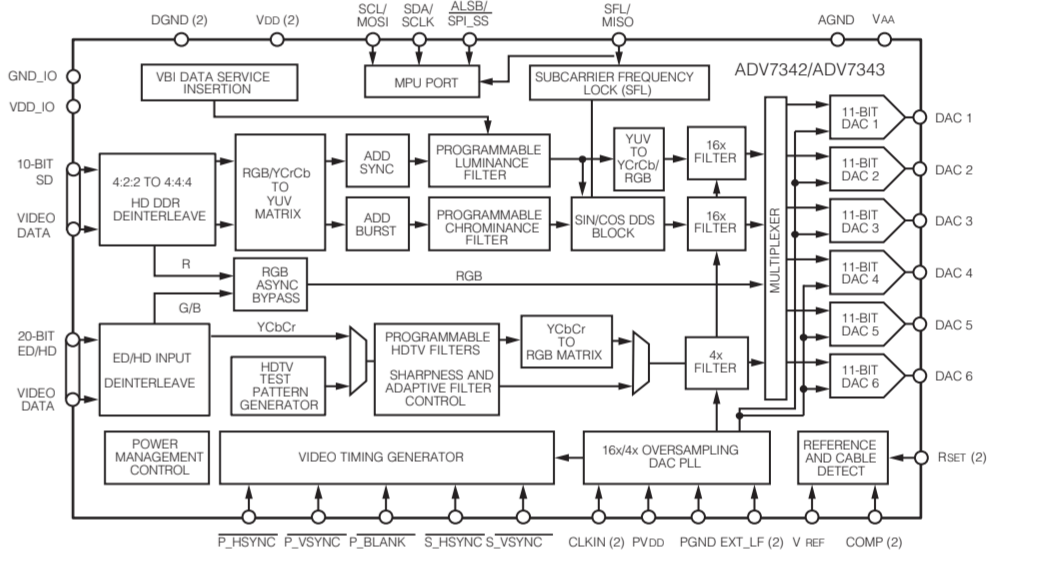
IC121: LA73053-TLM-E Analog dual operational amplifier



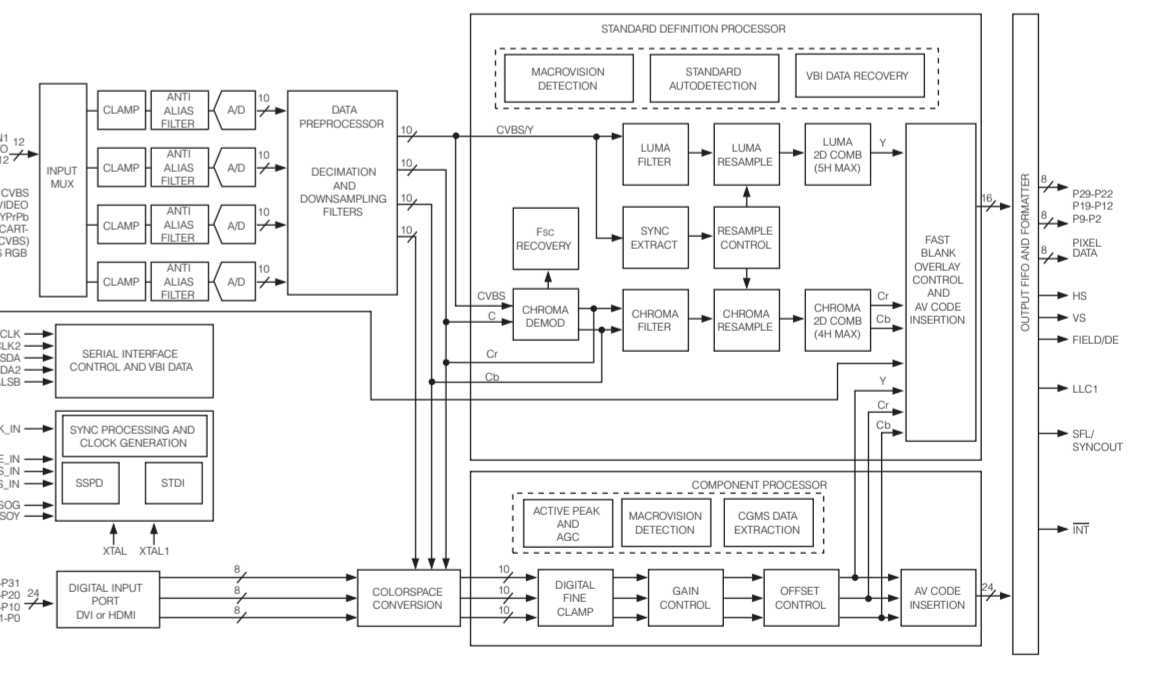
IC122: SN74LVC2G125DCUR Dual bus buffer gate



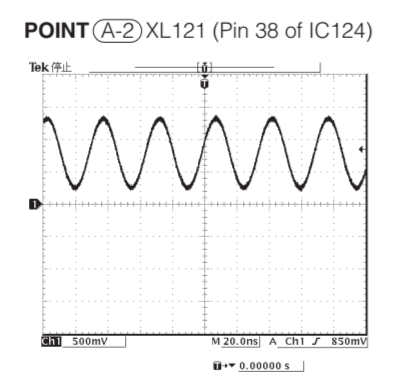
IC123: ADV7342BSTZ Multiformal video encoder



IC124: ADV7401BSTZ-80 Multiformal SDTV/HDTV video decoder and RGB graphics digitizer



NOTICE (model1)  
 (J)..... JAPAN  
 (U)..... U.S.A  
 (C)..... CANADA  
 (R)..... GENERAL  
 (T)..... CHINA  
 (K)..... KOREA  
 (A)..... AUSTRALIA  
 (B)..... BRITISH  
 (G)..... EUROPE  
 (L)..... SINGAPORE  
 (V)..... TAIWAN  
 (F)..... RUSSIAN



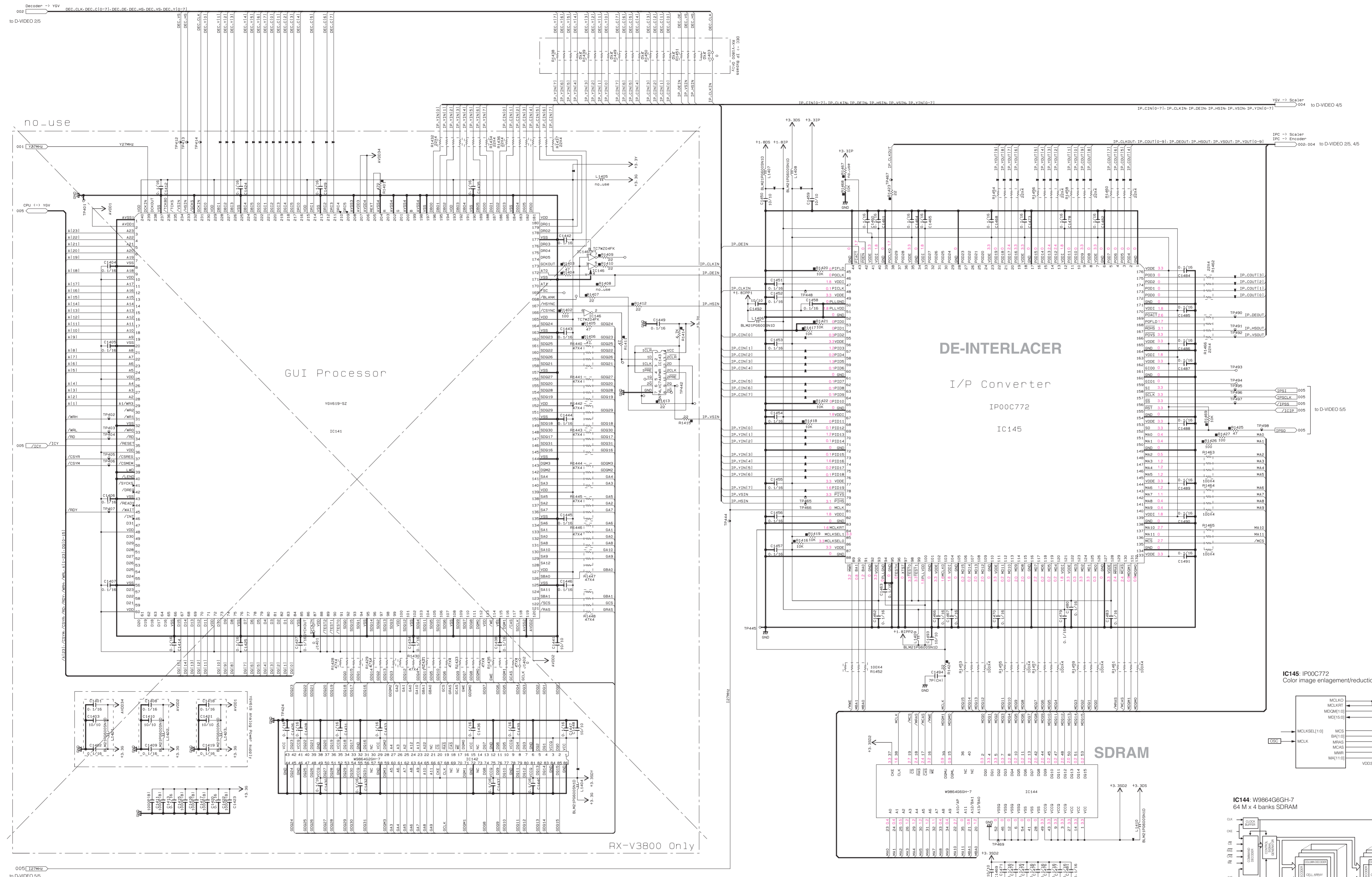
- Decoder -> YGV
- Decoder -> JPC
- Decoder -> SCLV
- Decoder -> SDAV
- Decoder -> INTAD
- Decoder -> ICV

121-140  
 1201-1400  
 Video Encoder  
 Video Decoder

★ All voltages are measured with a 10MQ/V DC electronic voltmeter.  
 ★ Components having special characteristics are marked with a triangle, and must be replaced with parts having specifications equal to those originally installed.  
 ★ Schematic diagram is subject to change without notice.

● 電圧は、内部抵抗10MQの電圧計で測定したものです。  
 ● 印のある部品は、安全性確保部品を示しています。部品の交換が必要な場合、パーツリストに記載されている部品を使用してください。  
 ● 本回路図は標準回路図です。改良のため予告なく変更することがございます。

D-VIDEO 3/5



★ All voltages are measured with a 10MΩ/DC electronic voltmeter.  
 ★ Components having special characteristics are marked with a star and must be replaced with parts having specifications equal to those originally installed.  
 ★ Schematic diagram is subject to change without notice.

● 電圧は、内部抵抗10MΩの電圧計で測定したものです。  
 ● 1印のある部品は、安全性確保部品を示しています。部品の交換が必要な場合、パーツリストに記載されている部品を使用してください。  
 ● 本回路図は標準回路図です。改良のため予告なく変更することがございます。

RESISTOR

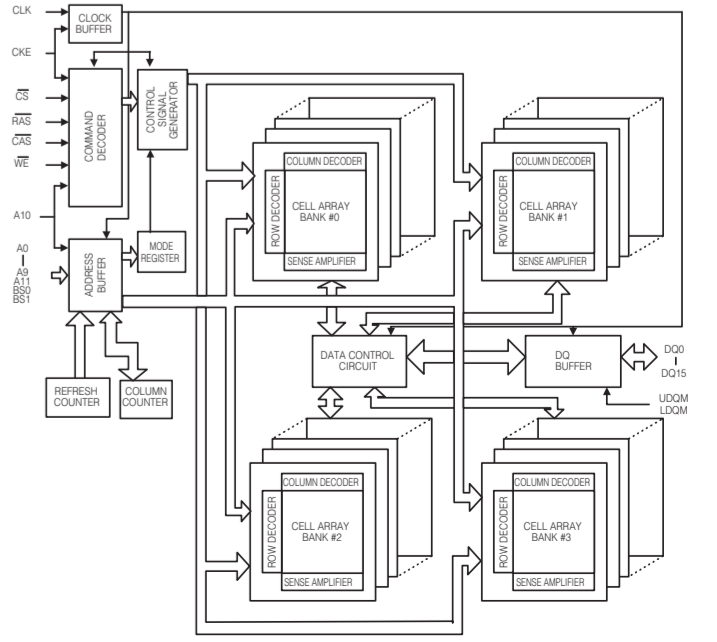
REMARKS	PARTS NAME
NO MARK	CARBON FILM RESISTOR (P=5)
□	CARBON FILM RESISTOR (P=10)
△	METAL OXIDE FILM RESISTOR
◇	METAL FILM RESISTOR
○	POLYESTER FILM CAPACITOR
⊙	FILM PROOF CARBON FILM RESISTOR
□	CEMENT MOLDED RESISTOR
⊕	SEMI VARIABLE RESISTOR
■	CHIP RESISTOR

CAPACITOR

REMARKS	PARTS NAME
NO MARK	ELECTROLYTIC CAPACITOR
⊗	TANTALUM CAPACITOR
○	CERAMIC CAPACITOR
⊙	CERAMIC TUBULAR CAPACITOR
⊕	POLYESTER FILM CAPACITOR
⊖	POLYSTYRENE FILM CAPACITOR
⊗	MICA CAPACITOR
⊙	POLYPROPYLENE FILM CAPACITOR
⊕	SEMICONDUCTIVE CERAMIC CAPACITOR

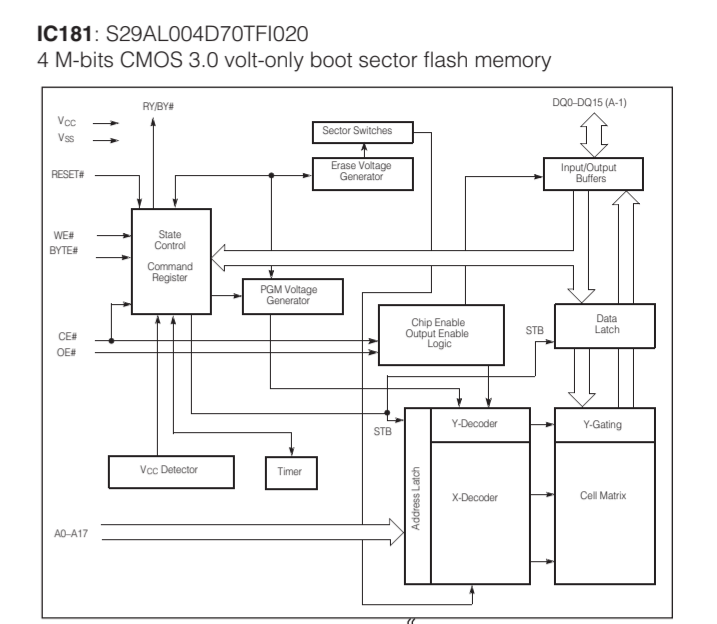
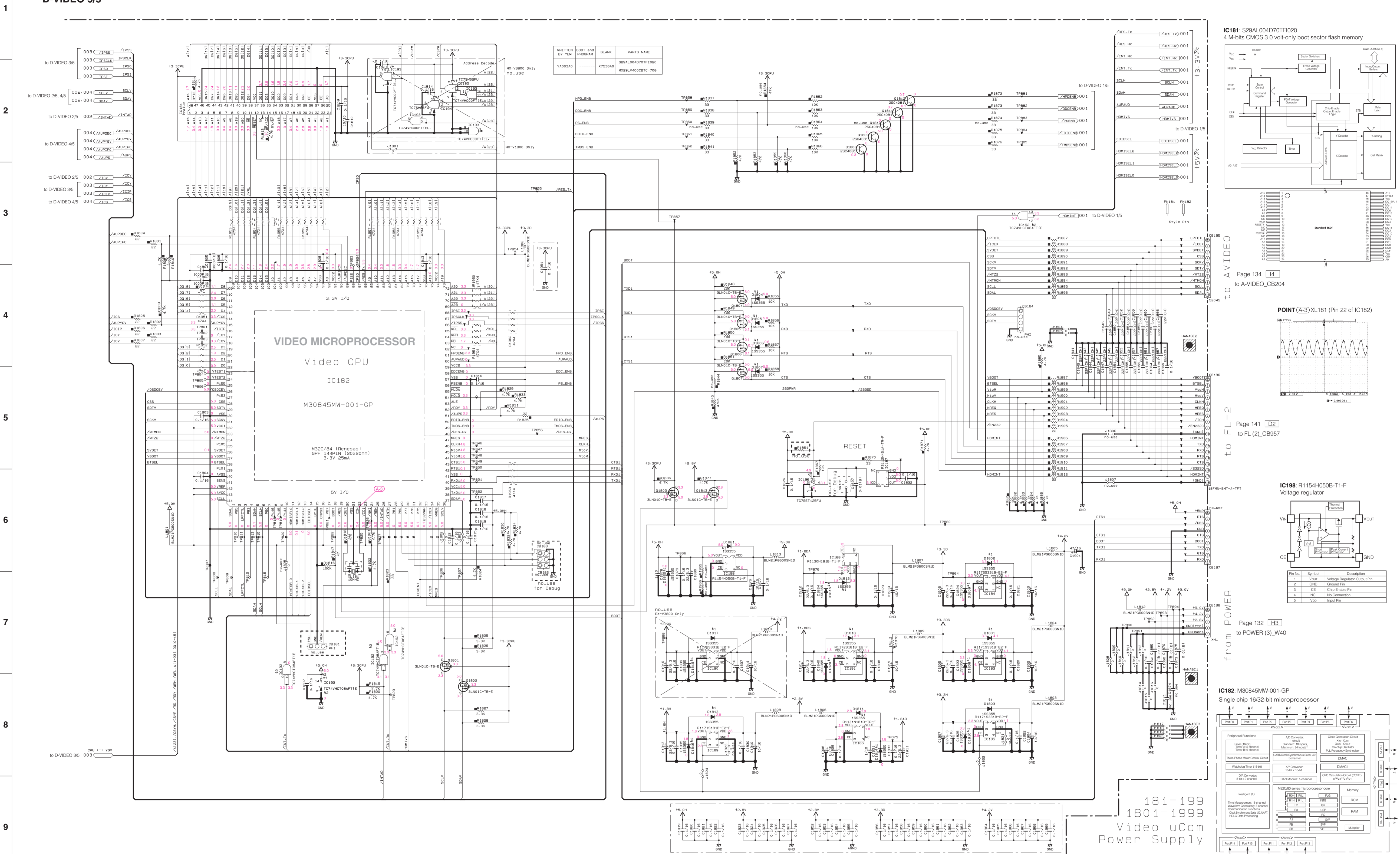
NOTICE (model)  
 (U)..... U.S.A.  
 (A)..... AUSTRALIA  
 (C)..... CANADA  
 (R)..... GENERAL  
 (K)..... KOREA  
 (T)..... CHINA  
 (A)..... AUSTRALIA  
 (B)..... BRITISH  
 (G)..... EUROPE  
 (L)..... SINGAPORE  
 (E)..... SOUTH  
 (Y)..... TAIWAN  
 (F)..... RUSSIAN

141-160  
 1401-1600  
 GUI  
 Deinterlacer



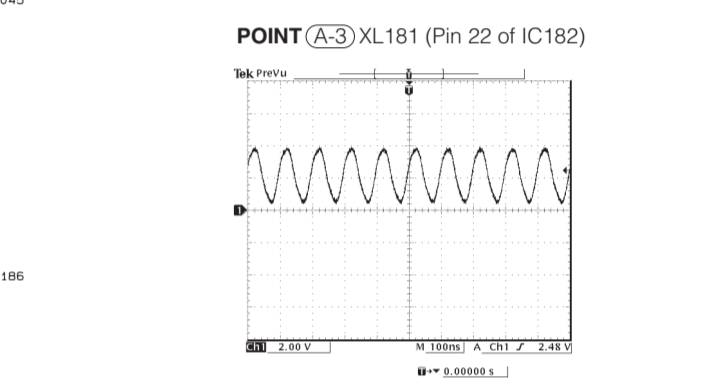


D-VIDEO 5/5



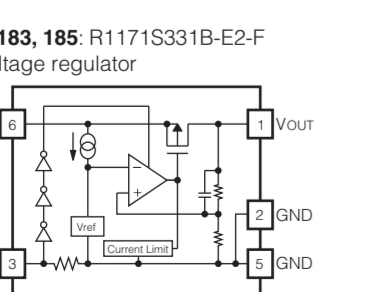
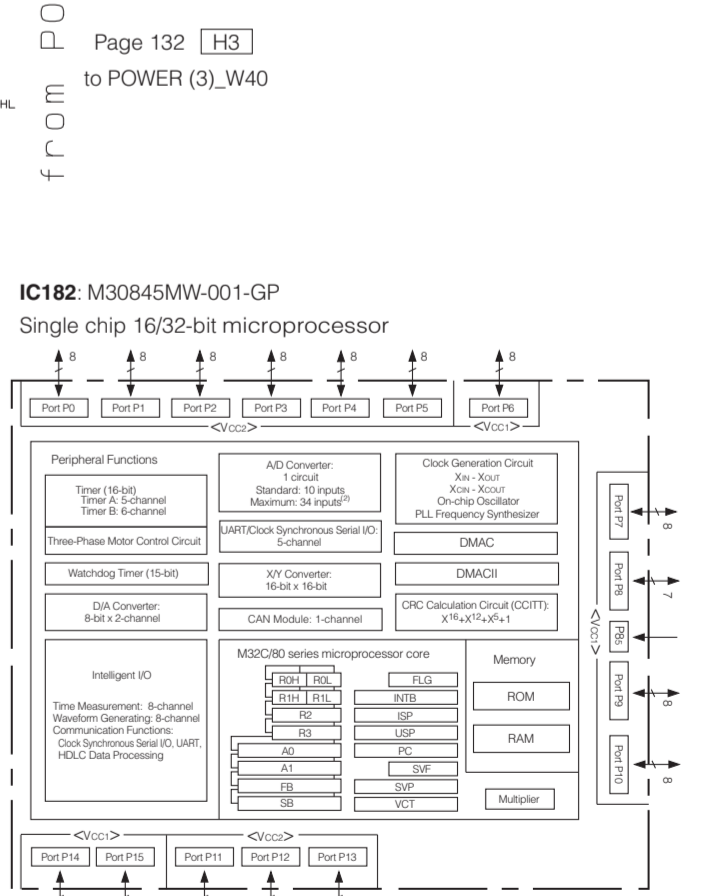
IC181: S29AL004D70TFI020  
4 M-bits CMOS 3.0 volt-only boot sector flash memory

Page 134 [14]  
to A-VIDEO\_CB204

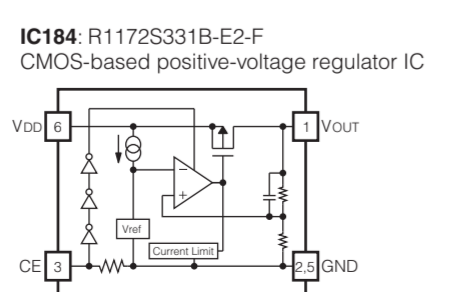


Pin No.	Symbol	Description
1	Vout	Voltage Regulator Output Pin
2	GND	Ground Pin
3	CE	Chip Enable Pin
4	NC	No Connection
5	Vcc	Input Pin

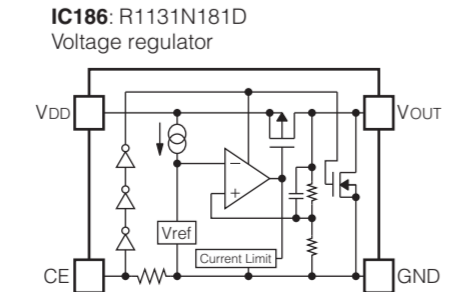
Page 132 [H3]  
to POWER(3)\_W40



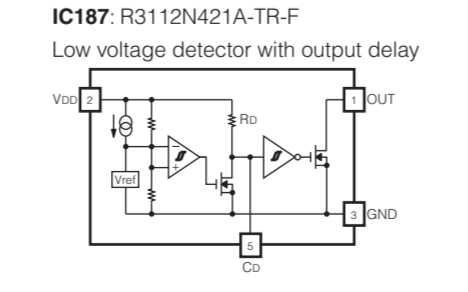
Pin No.	Symbol	Description
1	Vout	Output Pin of Voltage Regulator
2	GND	Ground Pin
3	CE	Chip Enable Pin (active at 1Y)
4	NC	No Connection
5	GND	Ground Pin
6	Vcc	Input Pin



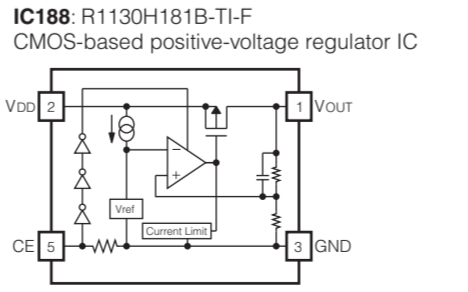
Pin No.	Symbol	Description
1	Vout	Output Pin of Voltage Regulator
2, 5	GND	Ground Pin
3	CE	Chip Enable Pin
4	NC	No Connection
6	Vcc	Input Pin



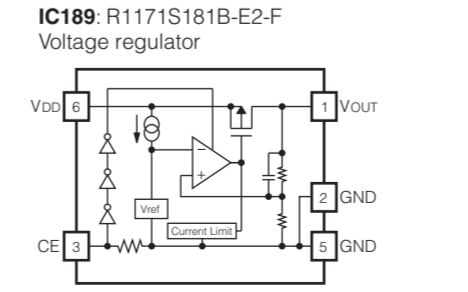
Pin No.	Symbol	Description
1	Vout	Output Pin of Voltage Regulator
2	GND	Ground Pin
3	CE	Chip Enable Pin
4	NC	No Connection
5	Vout	Output Pin



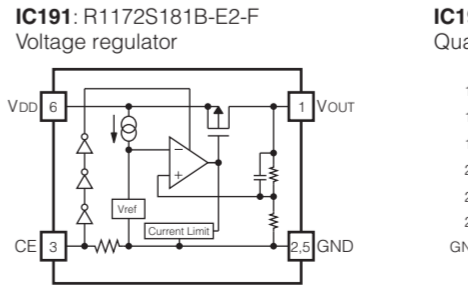
Pin No.	Symbol	Description
1	Vout	Output Pin of Voltage Regulator
2	Vcc	Input Pin
3	GND	Ground Pin
4	NC	No Connection
5	Vout	Output Pin



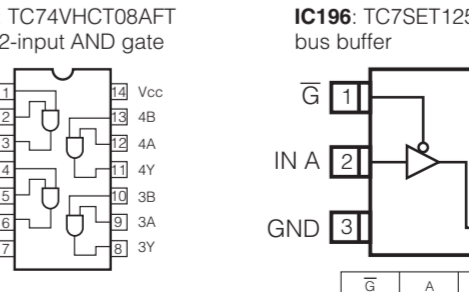
Pin No.	Symbol	Description
1	Vout	Output Pin of Voltage Regulator
2	GND	Ground Pin
3	CE	Chip Enable Pin (active at 1Y)
4	NC	No Connection
5	GND	Ground Pin
6	Vcc	Input Pin



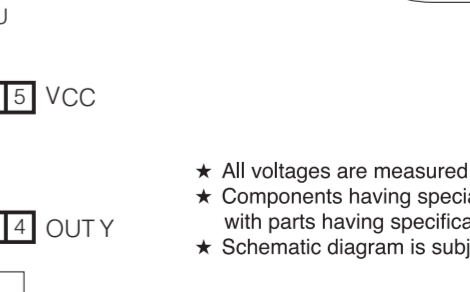
Pin No.	Symbol	Description
1	Vout	Output Pin of Voltage Regulator
2	GND	Ground Pin
3	CE	Chip Enable Pin (active at 1Y)
4	NC	No Connection
5	GND	Ground Pin
6	Vcc	Input Pin



Pin No.	Symbol	Description
1	Vout	Output Pin of Voltage Regulator
2, 5	GND	Ground Pin
3	CE	Chip Enable Pin
4	NC	No Connection
6	Vcc	Input Pin



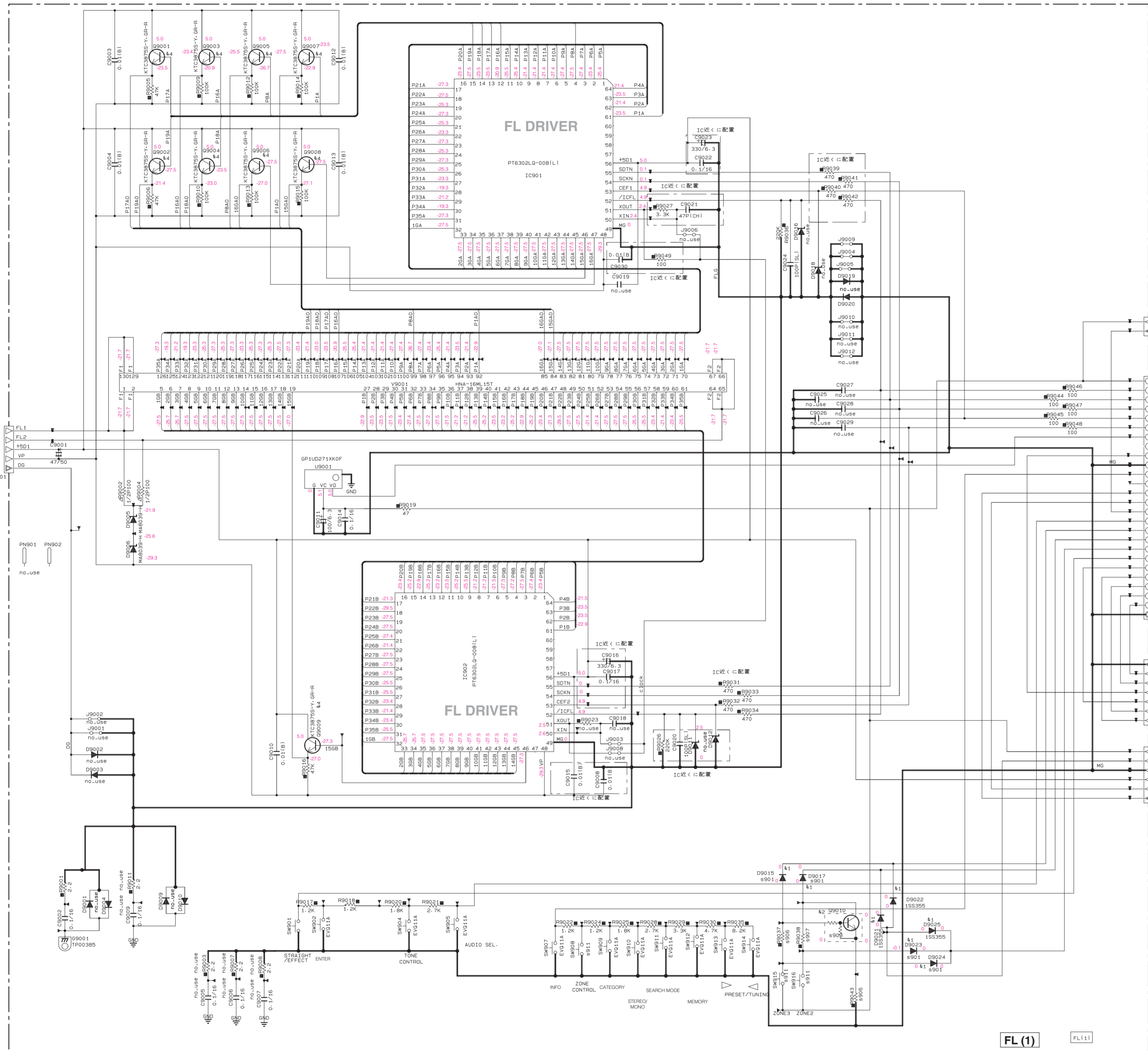
Pin No.	Symbol	Description
1	Vout	Output Pin of Voltage Regulator
2	GND	Ground Pin
3	CE	Chip Enable Pin (active at 1Y)
4	NC	No Connection
5	GND	Ground Pin
6	Vcc	Input Pin



Pin No.	Symbol	Description
1	Vout	Output Pin of Voltage Regulator
2	GND	Ground Pin
3	CE	Chip Enable Pin (active at 1Y)
4	NC	No Connection
5	GND	Ground Pin
6	Vcc	Input Pin

● All voltages are measured with a 10MΩ/V DC electronic voltmeter.  
 ● Components having special characteristics are marked with a triangle and must be replaced with parts having specifications equal to those originally installed.  
 ● Schematic diagram is subject to change without notice.

● 電圧は、内部抵抗10MΩの電圧計で測定したものです。  
 ● 印のある部品は、安全確保部品を示しています。部品の交換が必要な場合、パーツリストに記載されている部品を使用してください。  
 ● 本回路図は標準回路図です。改良のため予告なく変更することがございます。

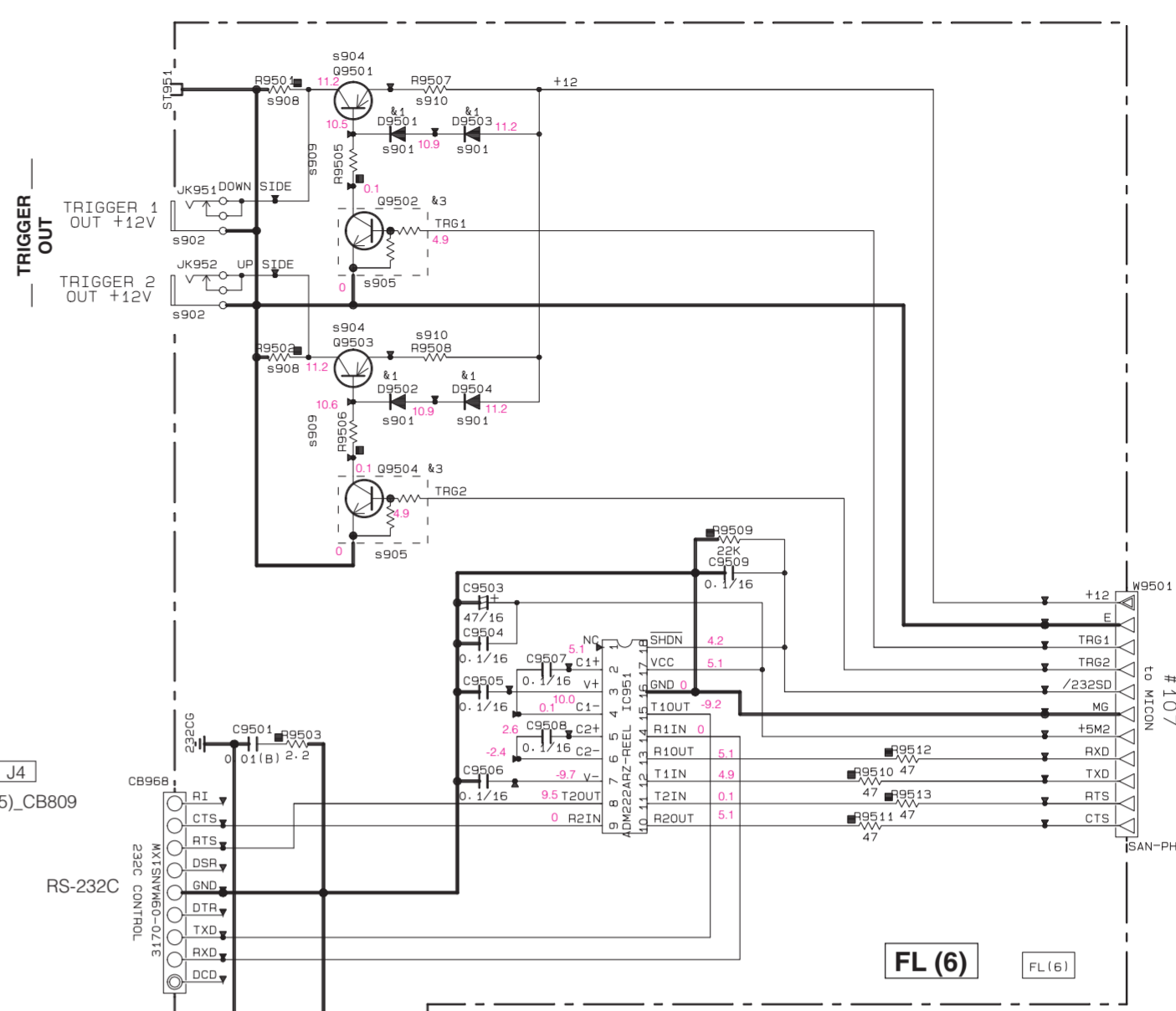


Page 130 [J4] to OPERATION (5)\_CB809

Page 141 [K5] to FL (2)\_CB970

Page 130 [L3] to OPERATION (4)\_CB812

Page 130 [A2] to OPERATION (1)\_CB801



Page 136 [C8] to FUNCTION (1)\_CB405

sXX	LOC	J	U.C.R.T.K.A.B.G.L.E
s901	D9015	X	VT33290
	D9017		153395
	D9018		
	D9019		
	D9020		
	D9021		
	D9022		
	D9023		
	D9024		
	D9025		
	D9026		
	D9027		
	D9028		
	D9029		
	D9030		
	D9031		
	D9032		
	D9033		
	D9034		
	D9035		
	D9036		
	D9037		
	D9038		
	D9039		
	D9040		
	D9041		
	D9042		
	D9043		
	D9044		
	D9045		
	D9046		
	D9047		
	D9048		
	D9049		
	D9050		
	D9051		
	D9052		
	D9053		
	D9054		
	D9055		
	D9056		
	D9057		
	D9058		
	D9059		
	D9060		
	D9061		
	D9062		
	D9063		
	D9064		
	D9065		
	D9066		
	D9067		
	D9068		
	D9069		
	D9070		
	D9071		
	D9072		
	D9073		
	D9074		
	D9075		
	D9076		
	D9077		
	D9078		
	D9079		
	D9080		
	D9081		
	D9082		
	D9083		
	D9084		
	D9085		
	D9086		
	D9087		
	D9088		
	D9089		
	D9090		
	D9091		
	D9092		
	D9093		
	D9094		
	D9095		
	D9096		
	D9097		
	D9098		
	D9099		
	D9100		

Mark	Reference Parts Number	Parts Name
11	D9015-9017-9021-9025	153395
	9501-9504	MA2J1106L
		KDS180-RTK/P
12	D9010	DTC1146KA
		KRC1025-RTK/P
13	D9020-9504	DTC1446KA
		KRC1045-RTK/P
14	D9001-9009	KTC38755-V-GR-RTK/P
		25C241K-G/R/S1
15		

★ All voltages are measured with a 10MQ/V DC electronic voltmeter.  
 ★ Components having special characteristics are marked with a triangle and must be replaced with parts having specifications equal to those originally installed.  
 ★ Schematic diagram is subject to change without notice.

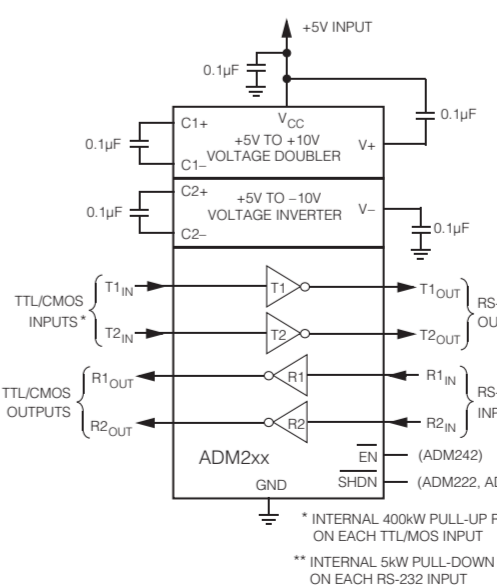
● 電圧は、内部抵抗10MΩの電圧計で測定したものです。  
 ● 印のある部品は、安全性確保部品を示しています。部品の交換が必要な場合、パーツリストに記載されている部品を使用してください。  
 ● 本回路図は標準回路図です。改良のため予告なく変更することがございます。

REMARKS	PARTS NAME
NO MARK	CARBON FILM RESISTOR (P=5)
△	CARBON FILM RESISTOR (P=10)
▲	METAL OXIDE FILM RESISTOR
△	METAL FILM RESISTOR
□	METAL PLATE RESISTOR
■	FIRE PROOF CARBON FILM RESISTOR
□	CEMENT MOLDED RESISTOR
⊕	SEMI VARIABLE RESISTOR
■	CHIP RESISTOR

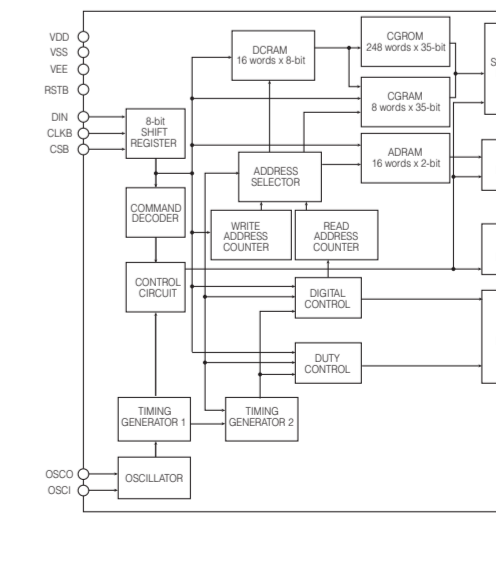
REMARKS	PARTS NAME
NO MARK	ELECTROLYTIC CAPACITOR
⊗	TANTALUM CAPACITOR
NO MARK	CERAMIC CAPACITOR
⊙	CERAMIC TUBULAR CAPACITOR
⊕	POLYESTER FILM CAPACITOR
○	POLYSTYRENE FILM CAPACITOR
⊖	MICA CAPACITOR
⊙	POLYPROPYLENE FILM CAPACITOR
⊕	SEMICONDUCTIVE CERAMIC CAPACITOR
⊙	POLYPHENYLENE SULFIDE FILM CAPACITOR

NOTICE (mode1)  
 (J)..... JAPAN  
 (U)..... U.S.A  
 (C)..... CANADA  
 (R)..... GENERAL  
 (K)..... CHINA  
 (T)..... KOREA  
 (A)..... AUSTRALIA  
 (B)..... BRITISH  
 (G)..... EUROPE  
 (L)..... SINGAPORE  
 (E)..... SOUTH  
 (V)..... TAIWAN  
 (F)..... RUSSIAN

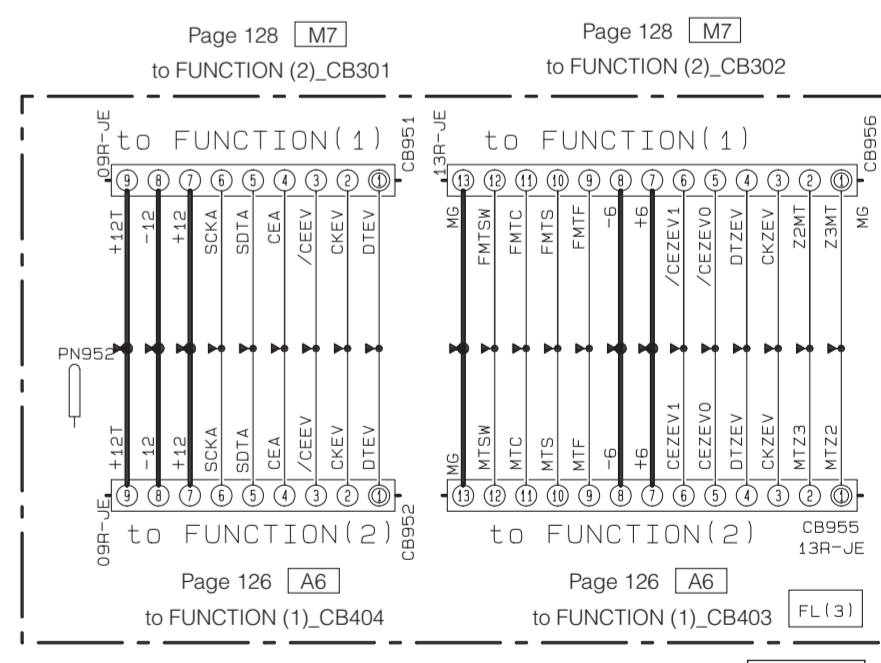
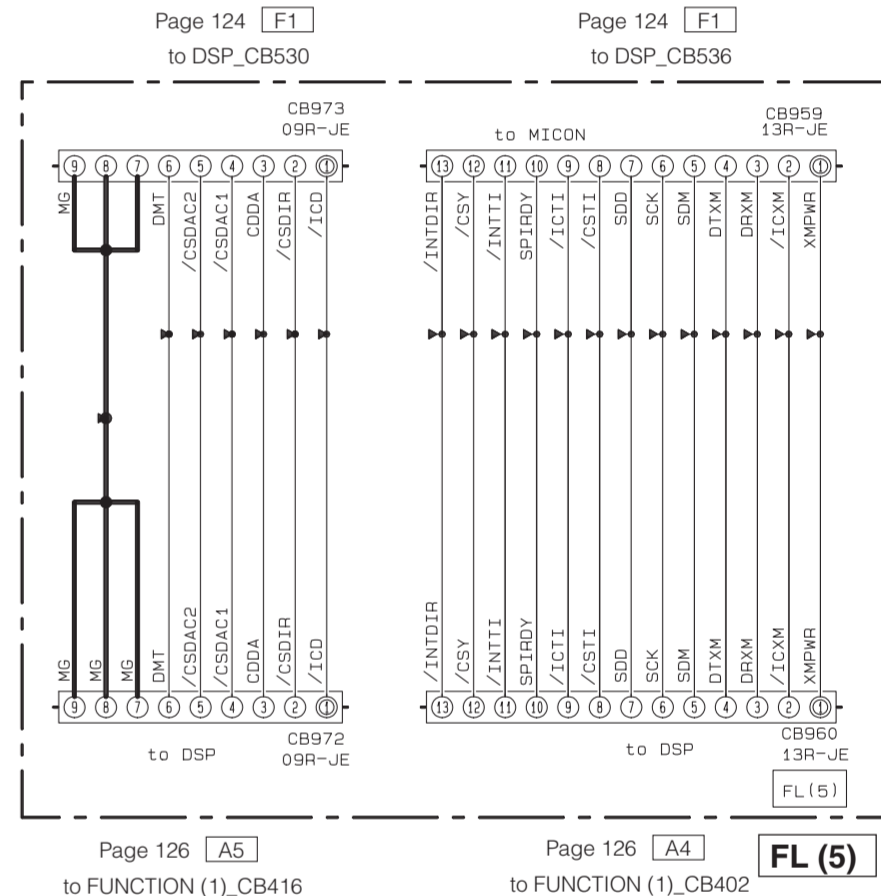
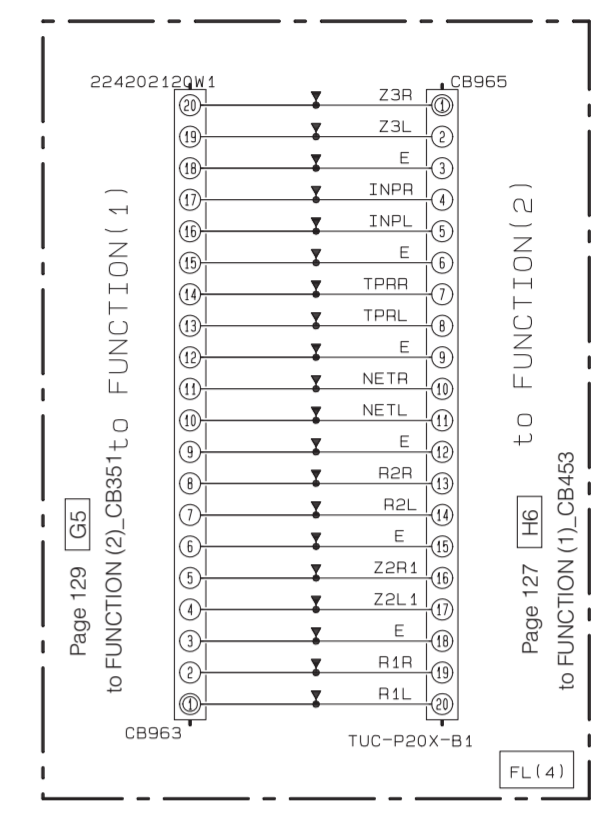
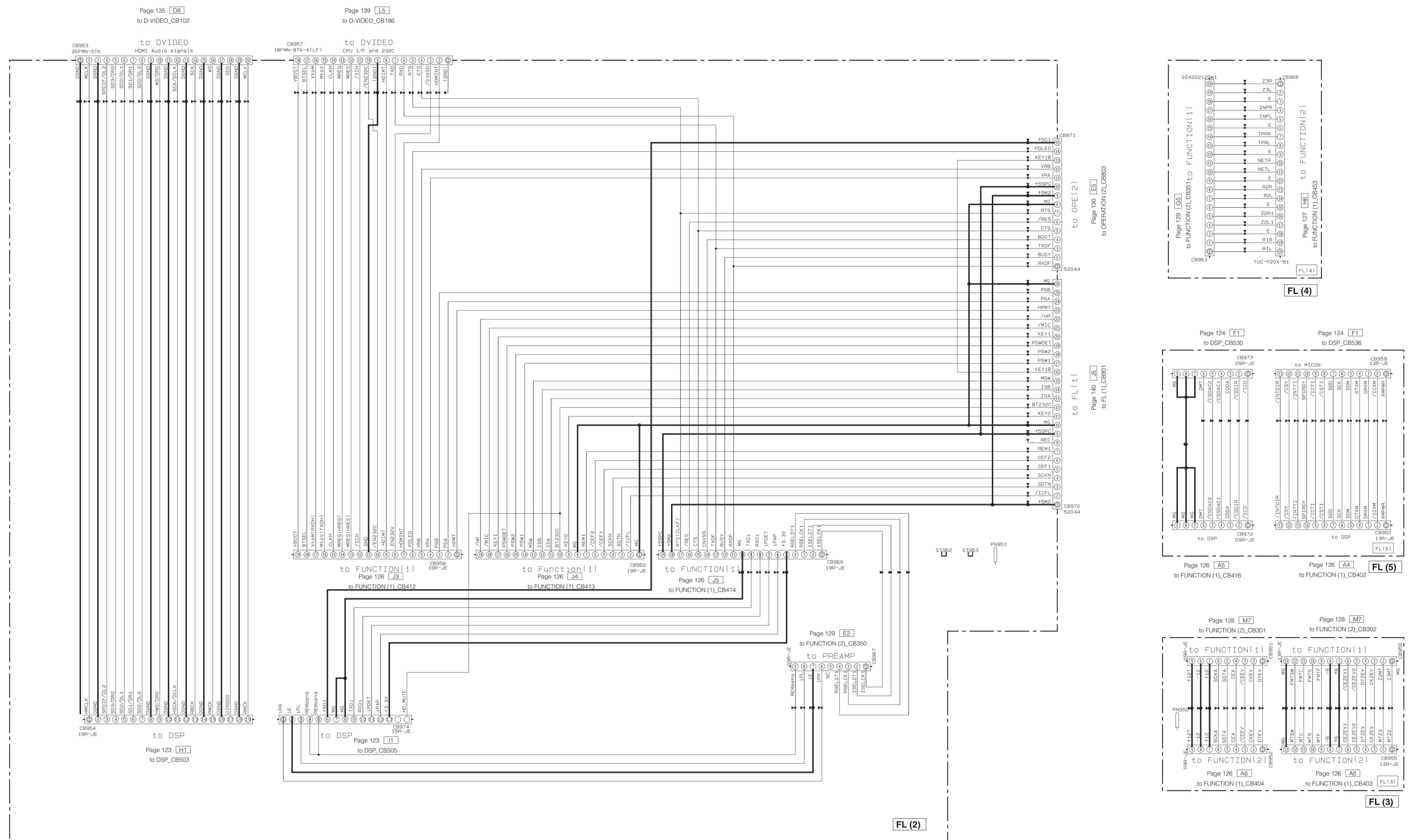
IC951: ADM22ARZ High speed RS-232 line drivers/receivers



IC901, 902: PT6302LQ-008 VFD driver/controller IC with character RAM



FL 2/2

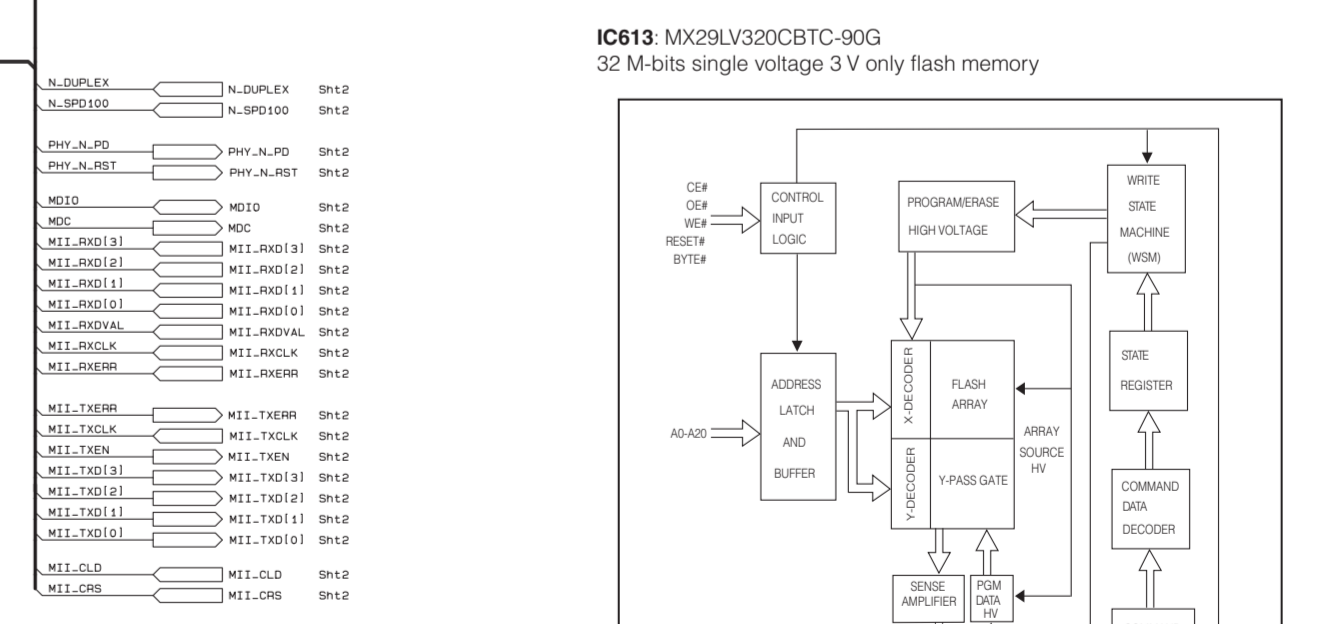
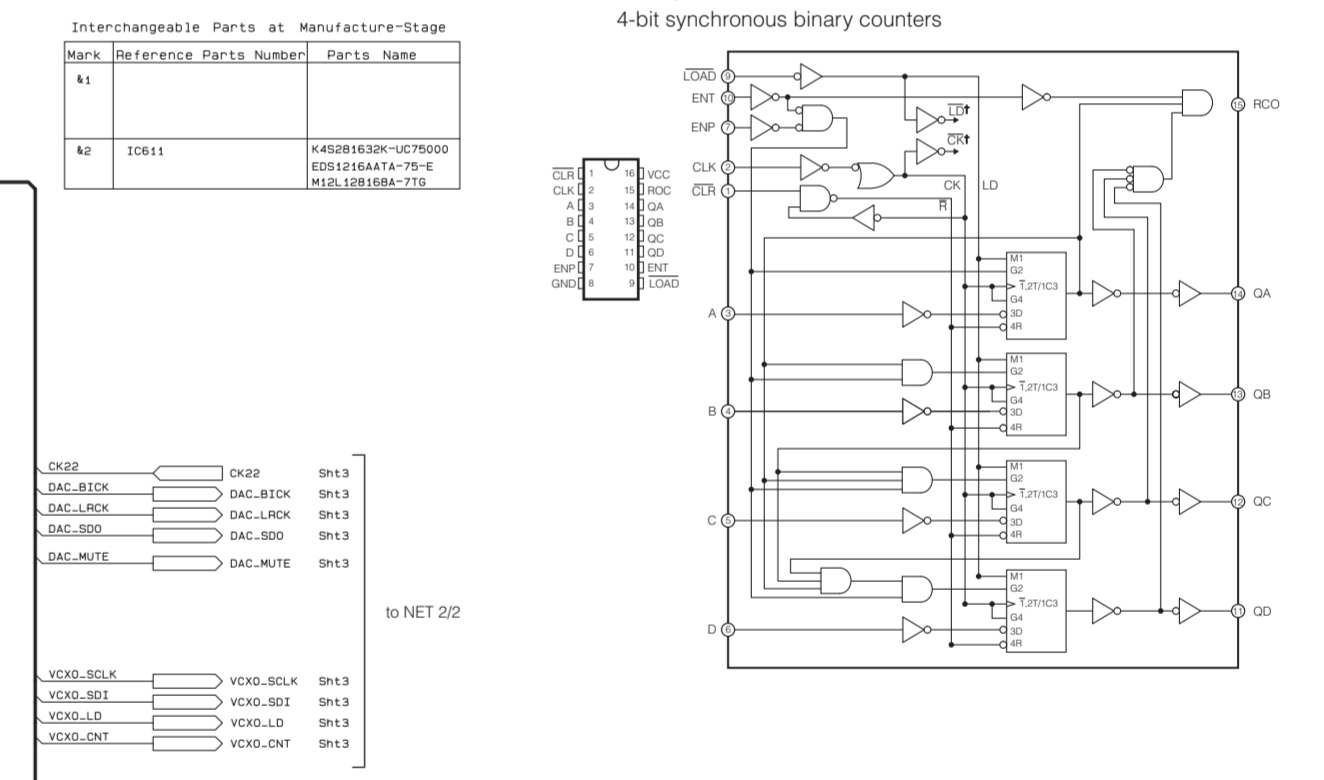
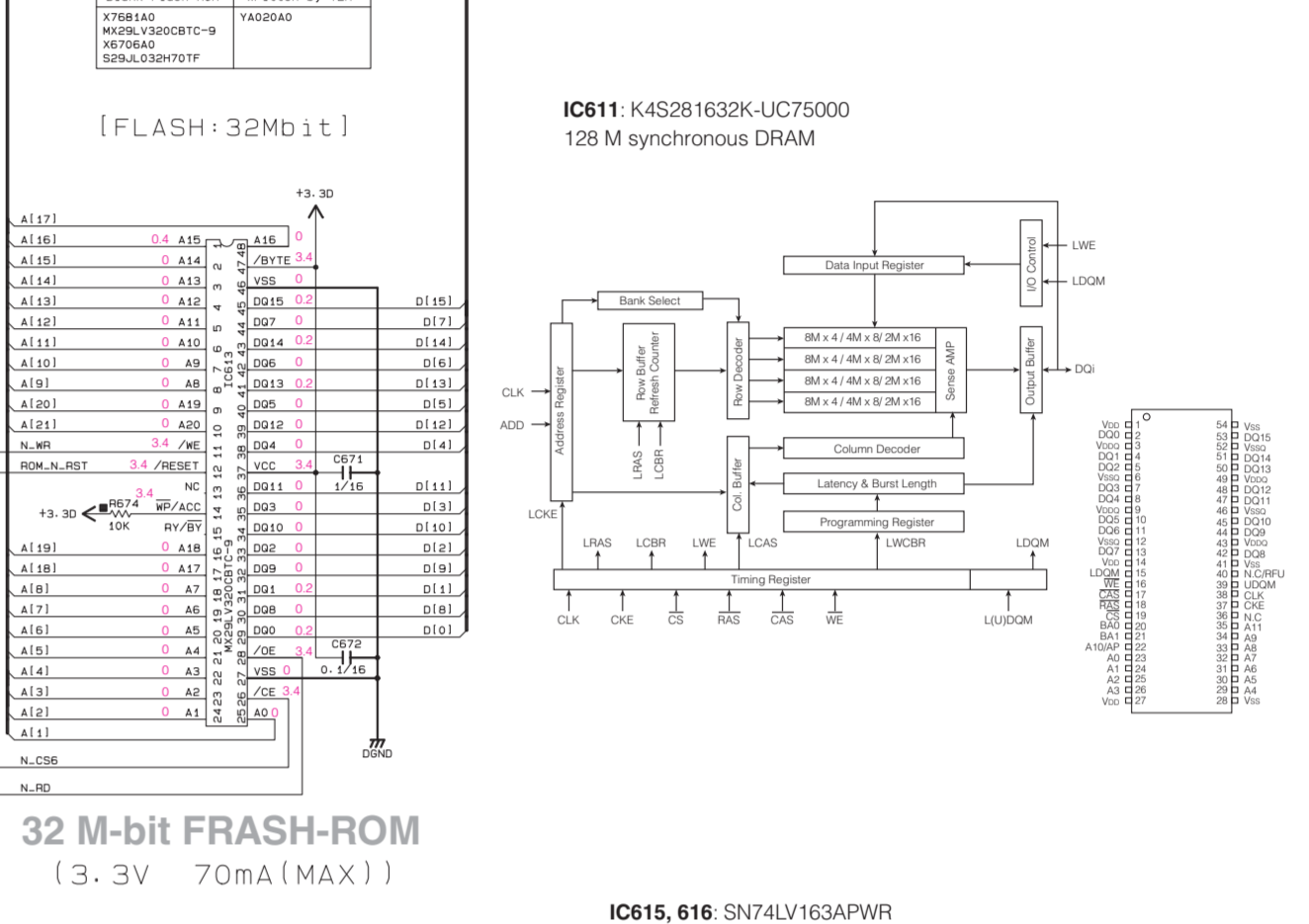
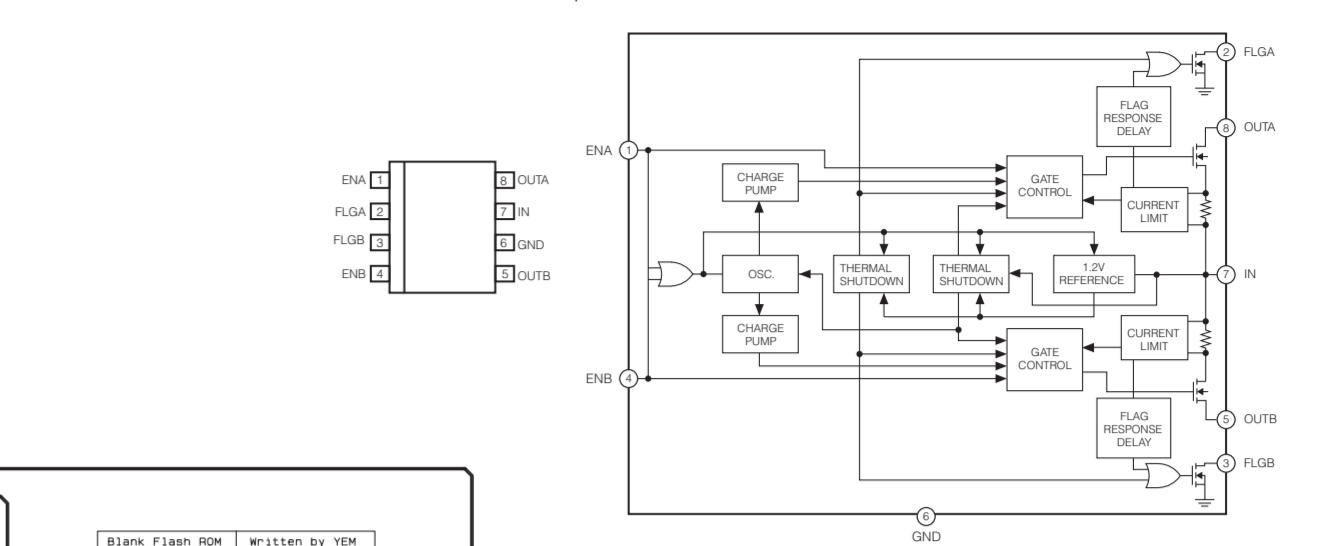
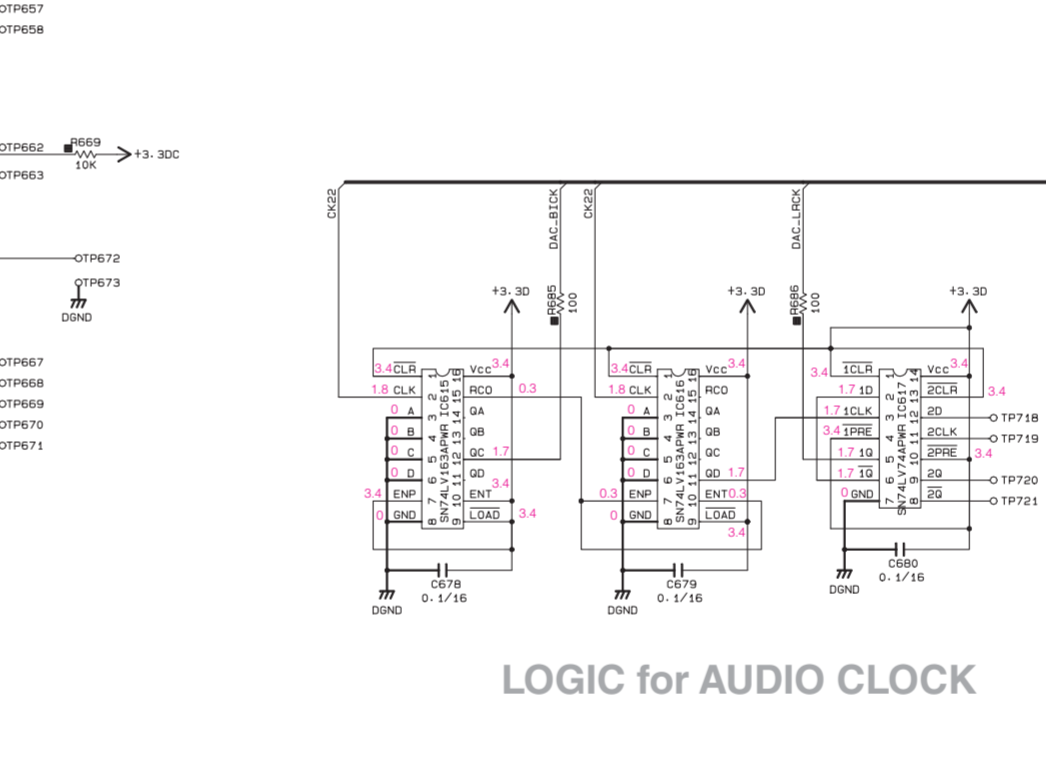
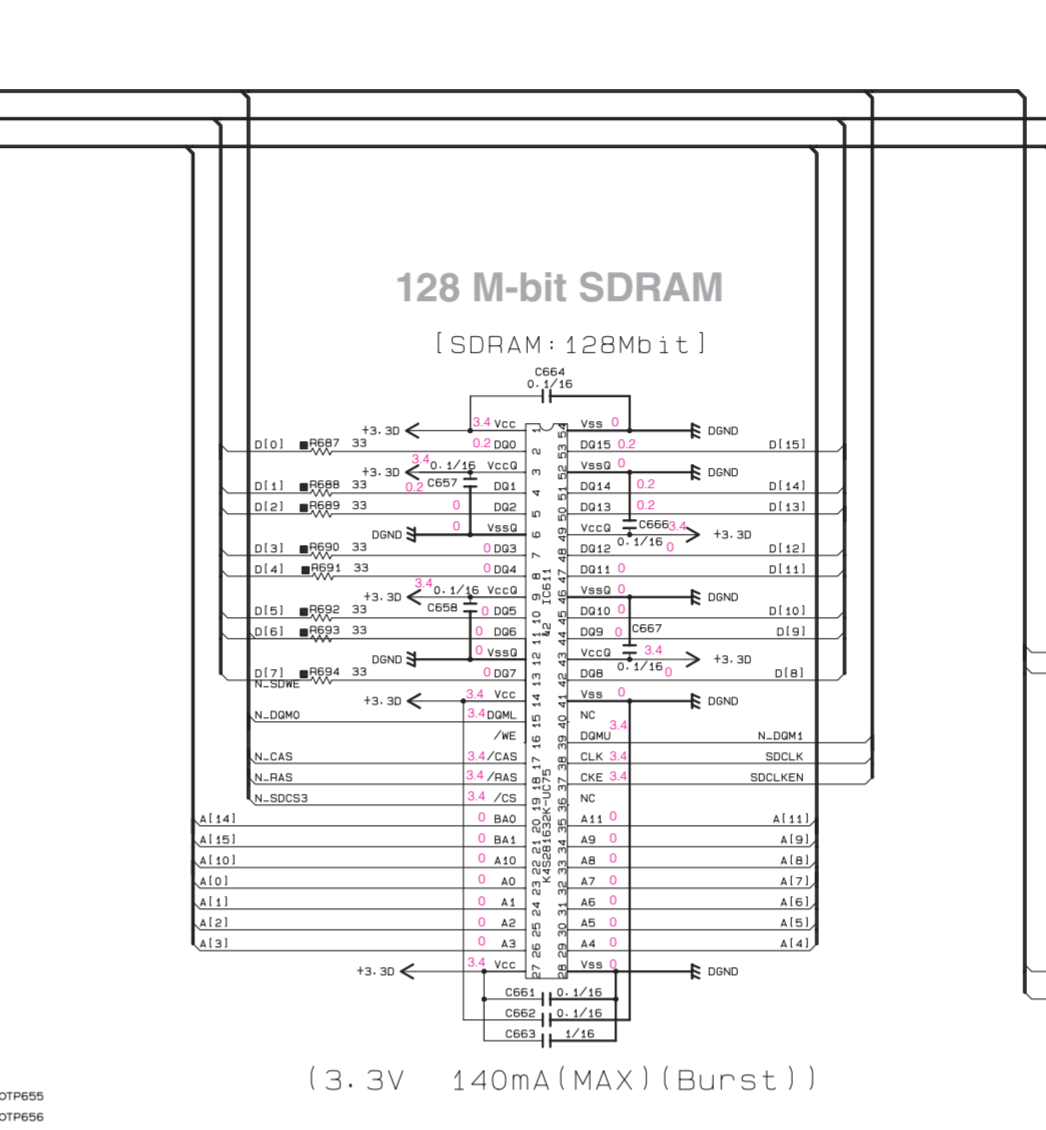
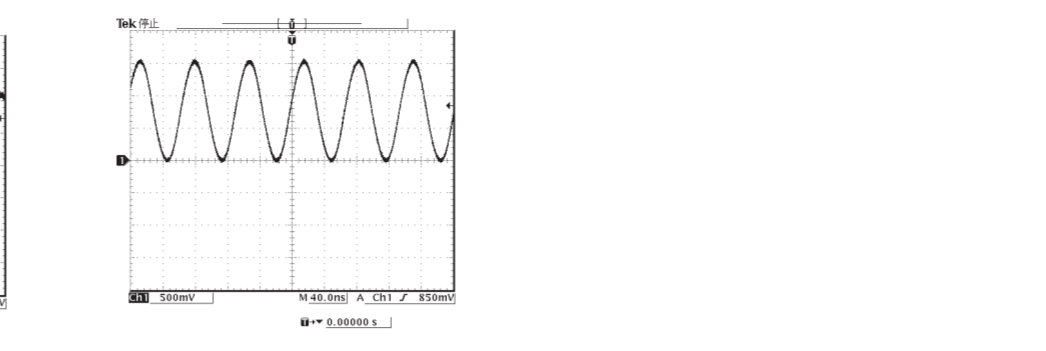
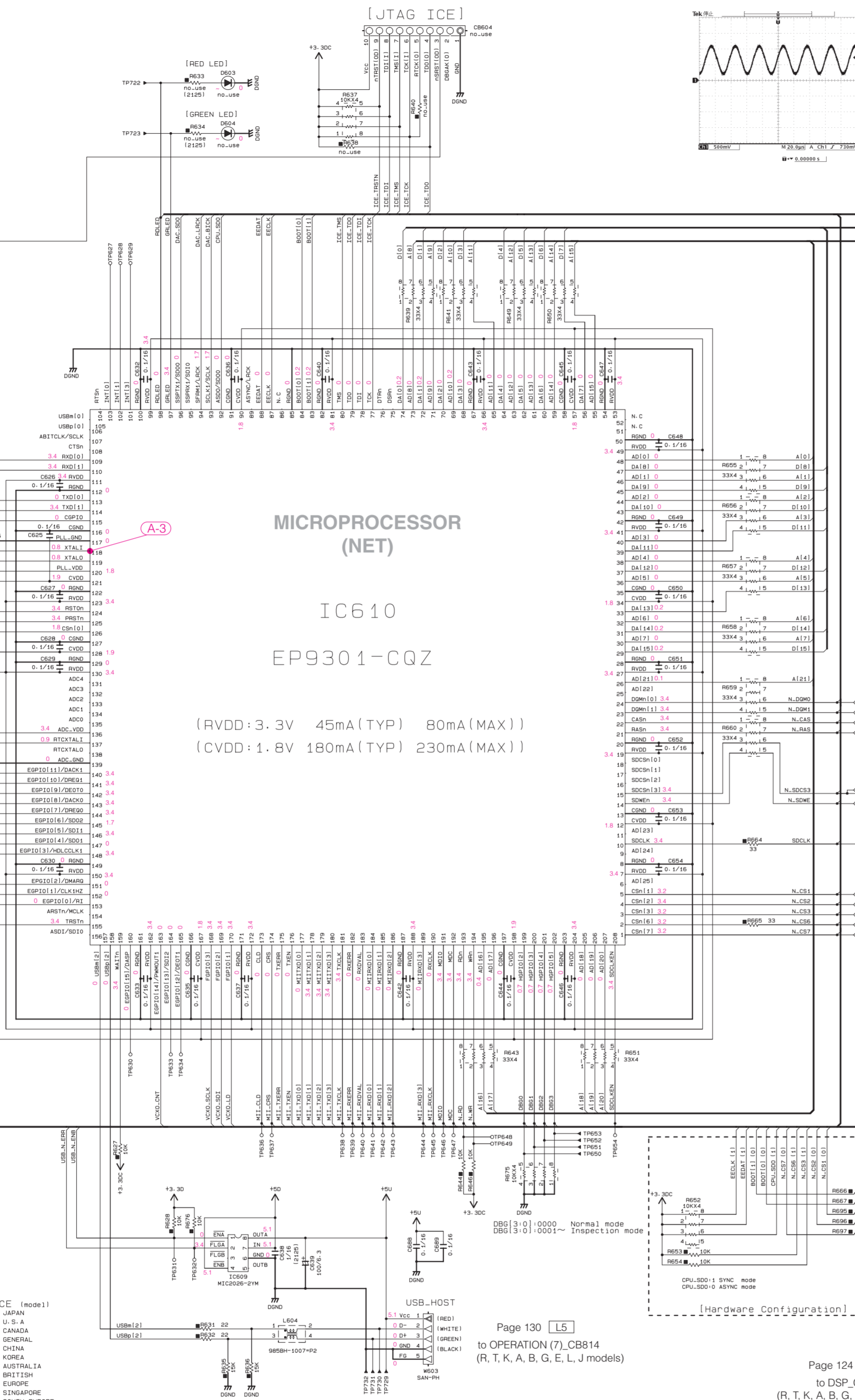
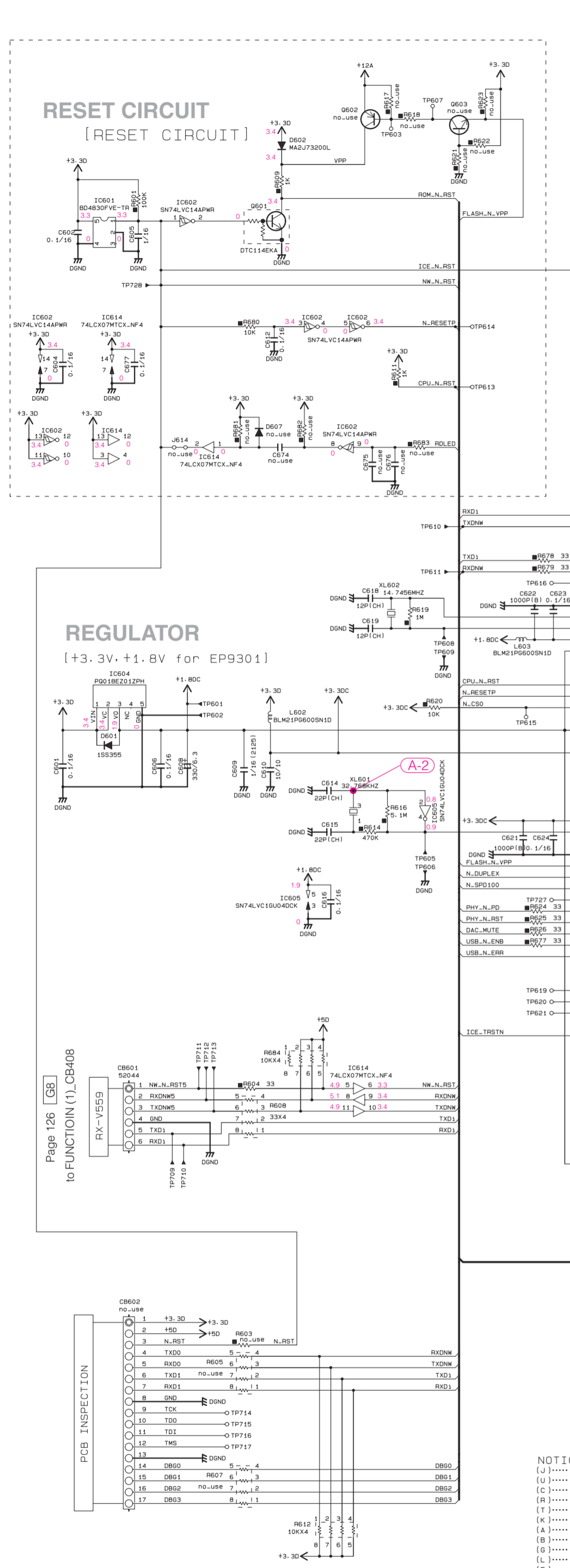


FL (2)

\* All voltages are measured with a 10MΩ/V DC electronic voltmeter.  
 \* Components having special characteristics are marked with a triangle and must be replaced with parts having specifications equal to those originally installed.  
 \* Schematic diagram is subject to change without notice.

● 電圧は、内部抵抗10MΩの電圧計で測定したものです。  
 ● 印のある部品は、安全性確保部品を示しています。部品の交換が必要な場合、パーツリストに記載されている部品を使用してください。  
 ● 本回路図は標準回路図です。改良のため予告なく変更することがございます。

NET 1/2



RESET CIRCUIT [RESET CIRCUIT]

REGULATOR [+3.3V, +1.8V for EP9301]

PCB INSPECTION

NOTICE (model)

RESISTOR

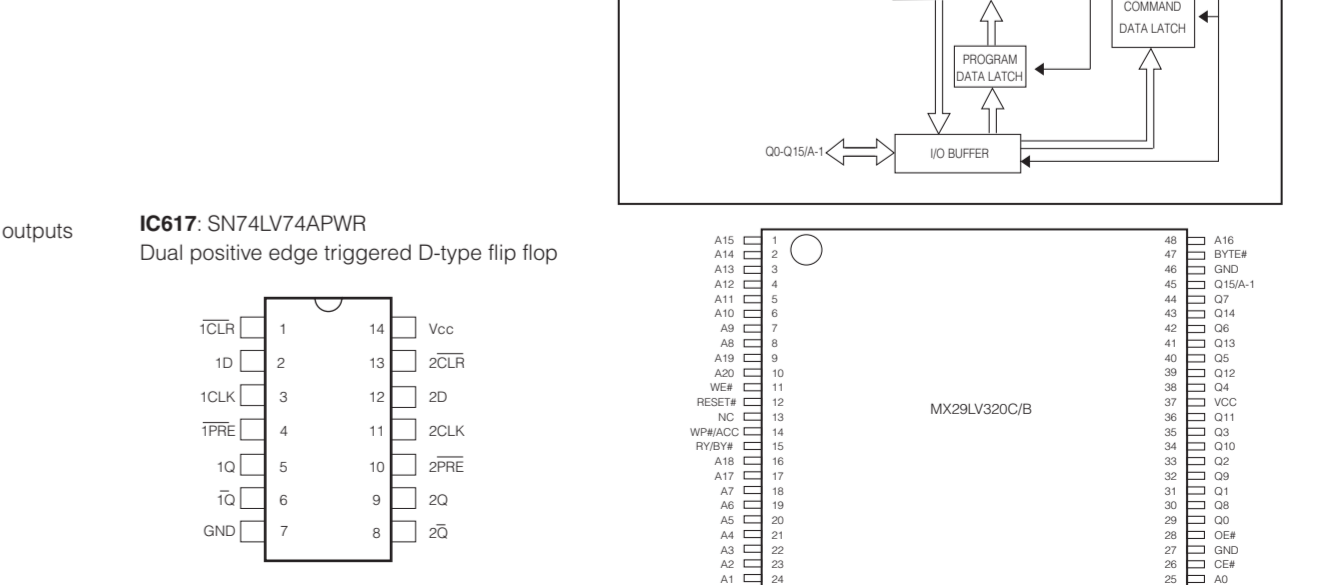
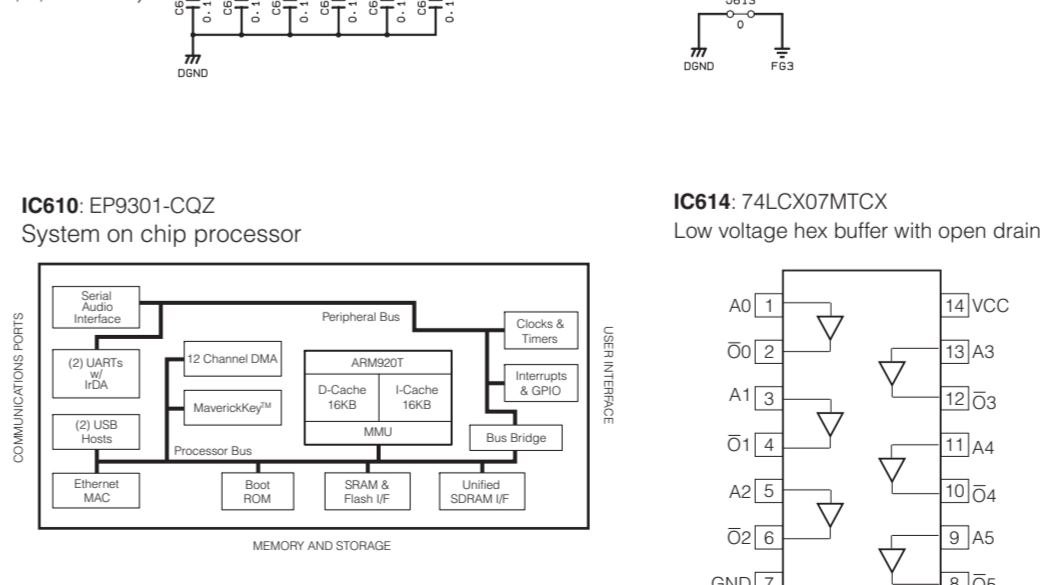
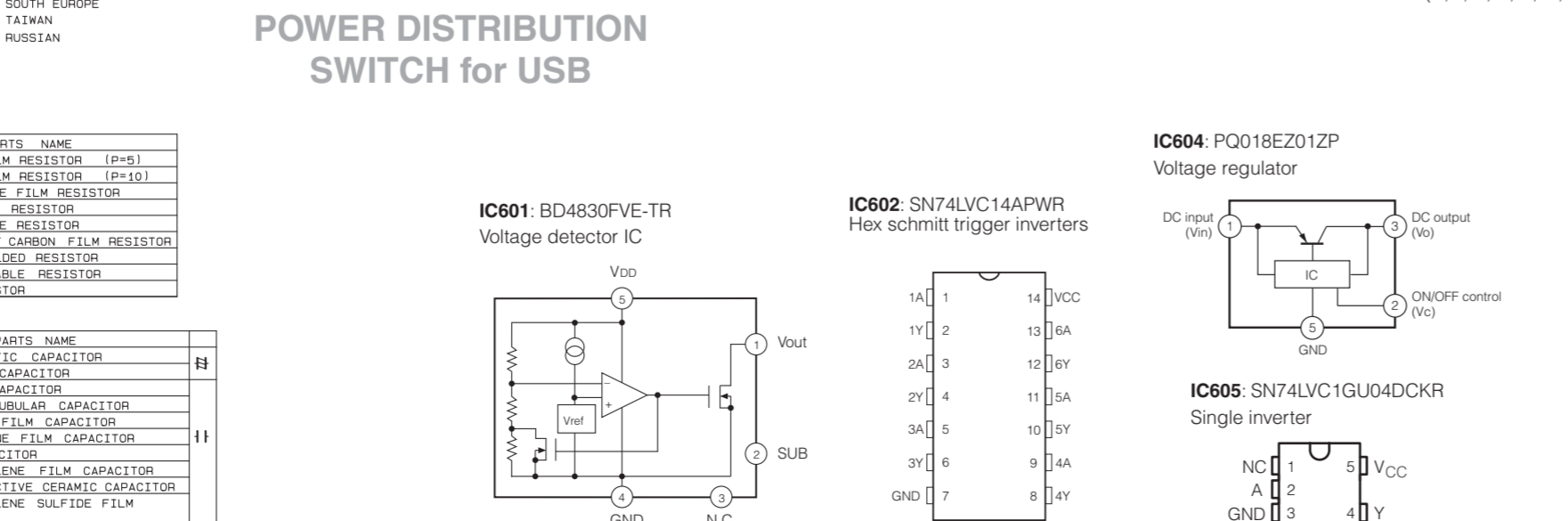
REMARKS	PARTS_NAME
NO MARK	CARBON FILM RESISTOR (P=5)
□	CARBON FILM RESISTOR (P=10)
△	METAL OXIDE FILM RESISTOR
◇	METAL FILM RESISTOR
○	METAL CLAY RESISTOR
◇	FILM PROOF CARBON FILM RESISTOR
○	CEMENT MOLDED RESISTOR
○	SEMI VARIABLE RESISTOR
○	CHIP RESISTOR

CAPACITOR

REMARKS	PARTS_NAME
NO MARK	ELECTROLYTIC CAPACITOR
○	TANTALUM CAPACITOR
□	CERAMIC CAPACITOR
○	CERAMIC TUBULAR CAPACITOR
○	POLYESTER FILM CAPACITOR
○	POLYSTYRENE FILM CAPACITOR
○	MICA CAPACITOR
○	POLYPROPYLENE FILM CAPACITOR
○	MICA CAPACITOR
○	POLYPROPYLENE SHIFTER FILM CAPACITOR
○	CAPACITOR

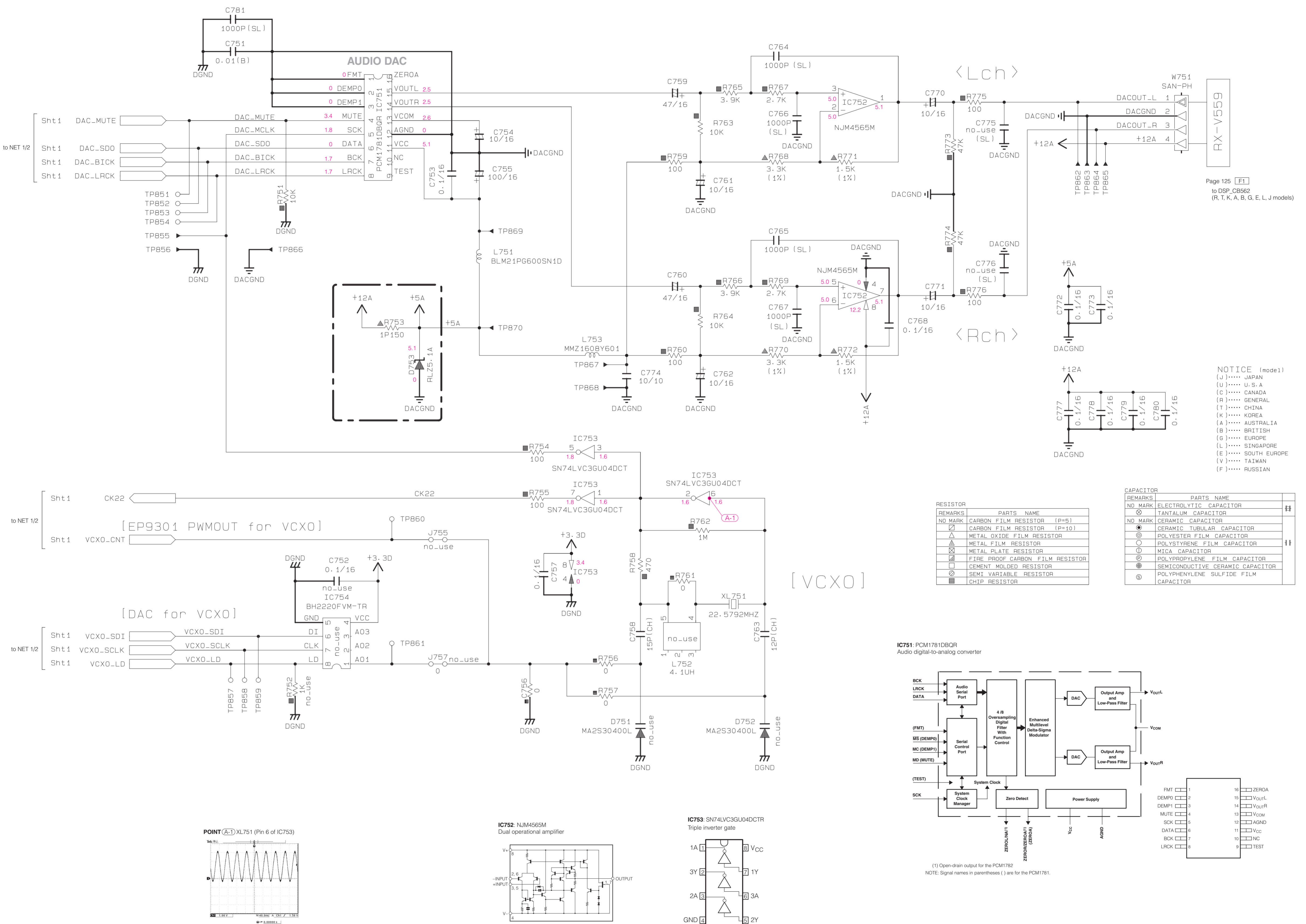
★ All voltages are measured with a 10MΩ/V DC electronic voltmeter.  
 ★ Components having special characteristics are marked with a symbol and must be replaced with parts having specifications equal to those originally installed.  
 ★ Schematic diagram is subject to change without notice.

●電圧は、内部抵抗10MΩの電圧計で測定したものです。  
 ●1印のある部品は、安全性確保部品を示しています。部品の交換が必要な場合、パーツリストに記載されている部品を使用してください。  
 ●本回路図は標準回路図です。改良のため予告なく変更することがございます。





NET 2/2



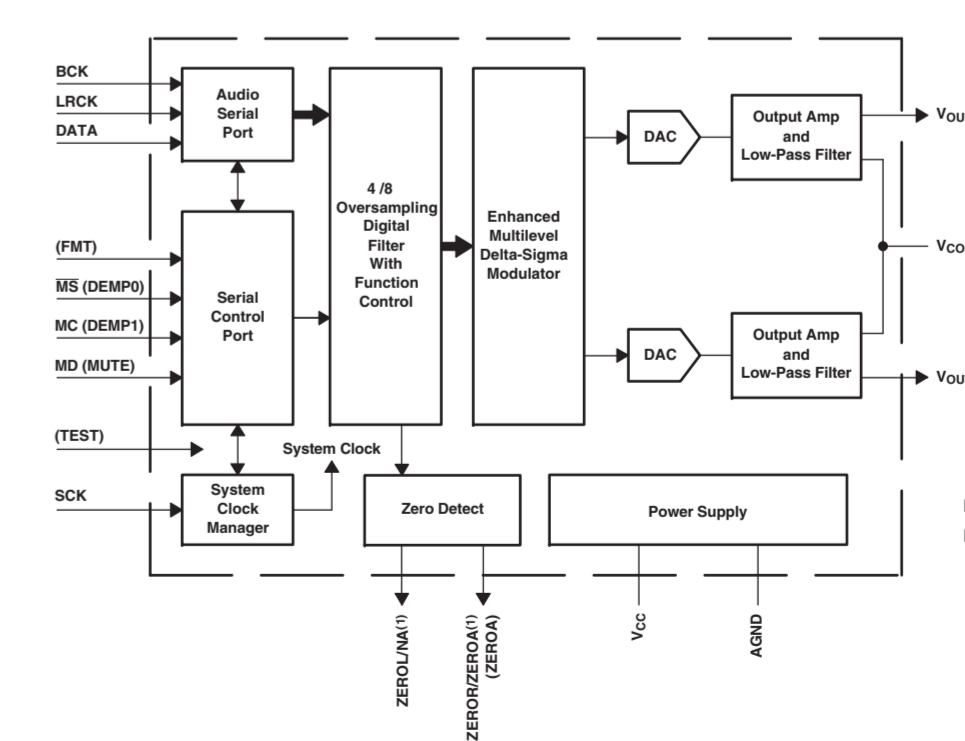
Page 125 [E1]  
to DSP\_CB562  
(R, T, K, A, B, G, E, L, J models)

NOTICE (mode1)  
(J)..... JAPAN  
(U)..... U.S.A  
(C)..... CANADA  
(R)..... GENERAL  
(T)..... CHINA  
(K)..... KOREA  
(A)..... AUSTRALIA  
(B)..... BRITISH  
(G)..... EUROPE  
(L)..... SINGAPORE  
(E)..... SOUTH EUROPE  
(V)..... TAIWAN  
(F)..... RUSSIAN

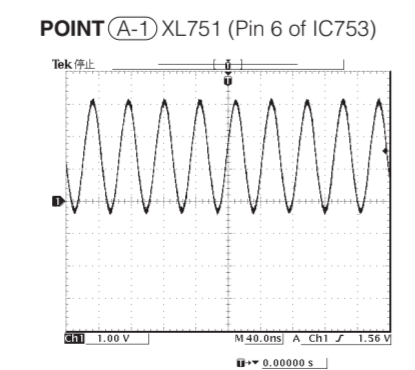
REMARKS	PARTS NAME
NO MARK	CARBON FILM RESISTOR (P=5)
⊠	CARBON FILM RESISTOR (P=10)
△	METAL OXIDE FILM RESISTOR
⊙	METAL FILM RESISTOR
⊚	METAL PLATE RESISTOR
⊞	FIRE PROOF CARBON FILM RESISTOR
⊞	CEMENT MOLDED RESISTOR
⊞	SEMI VARIABLE RESISTOR
■	CHIP RESISTOR

REMARKS	PARTS NAME
⊖	ELECTROLYTIC CAPACITOR
⊗	TANTALUM CAPACITOR
⊙	CERAMIC CAPACITOR
⊚	CERAMIC TUBULAR CAPACITOR
⊞	POLYESTER FILM CAPACITOR
⊞	POLYSTYRENE FILM CAPACITOR
⊞	MICA CAPACITOR
⊞	POLYPROPYLENE FILM CAPACITOR
⊞	SEMICONDUCTIVE CERAMIC CAPACITOR
⊞	POLYPHENYLENE SULFIDE FILM CAPACITOR

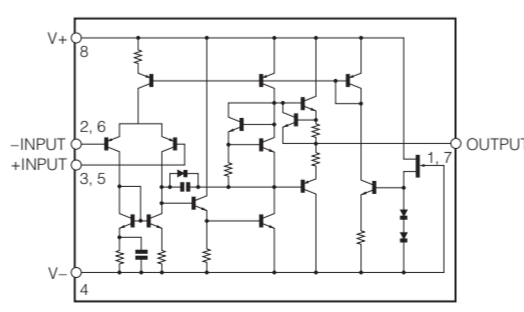
IC751: PCM1781DBQR  
Audio digital-to-analog converter



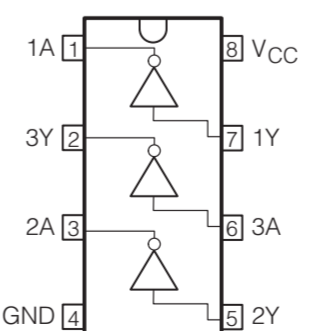
(1) Open-drain output for the PCM1782  
NOTE: Signal names in parentheses ( ) are for the PCM1781.



IC752: NJM4565M  
Dual operational amplifier



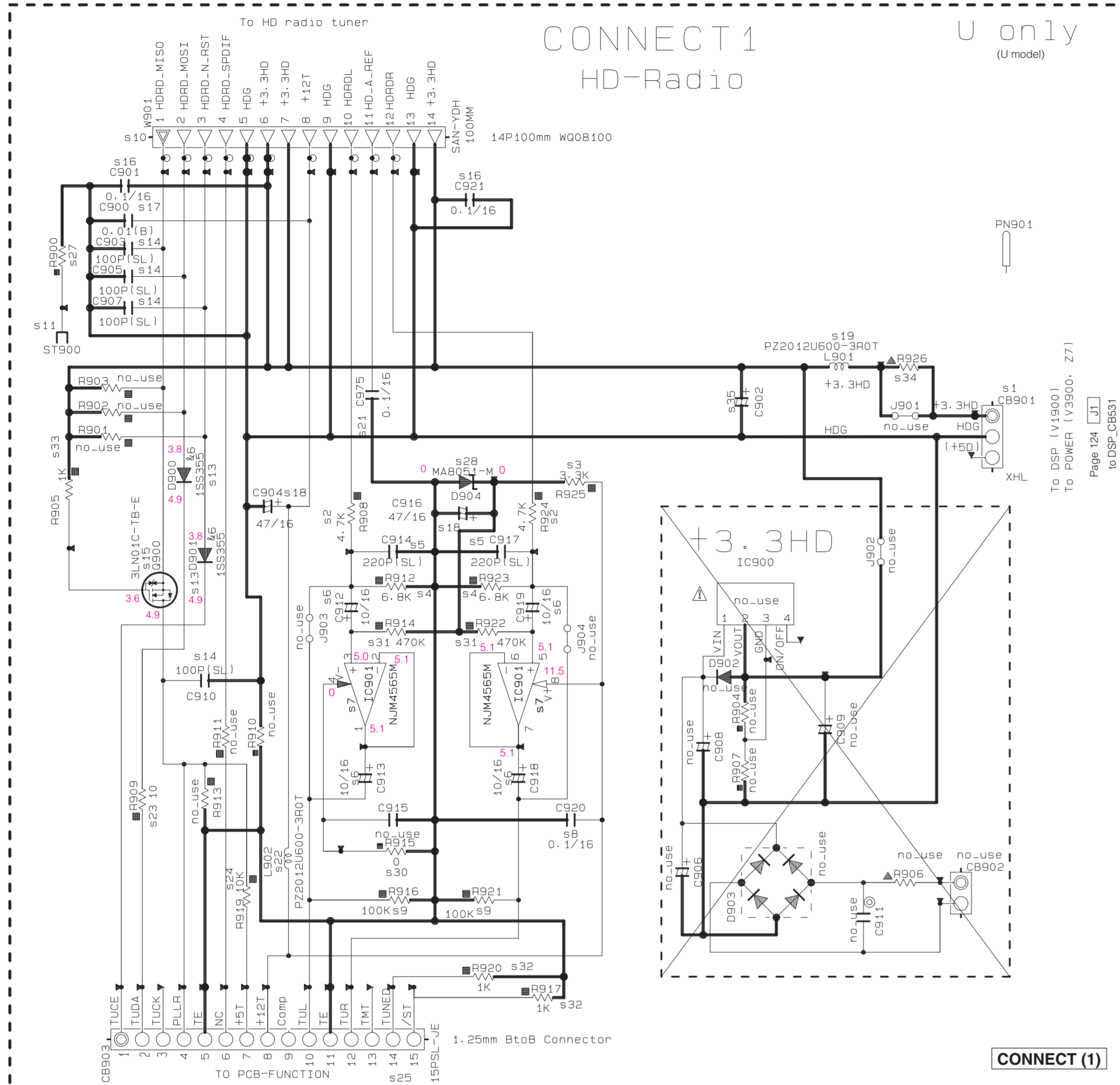
IC753: SN74LVC3GU04DCTR  
Triple inverter gate



★ All voltages are measured with a 10MΩV DC electronic voltmeter.  
★ Components having special characteristics are marked ⊠, and must be replaced with parts having specifications equal to those originally installed.  
★ Schematic diagram is subject to change without notice.

● 電圧は、内部抵抗10MΩの電圧計で測定したものです。  
● ⊠印のある部品は、安全性確保部品を示しています。部品の交換が必要な場合、パーツリストに記載されている部品を使用してください。  
● 本回路図は標準回路図です。改良のため予告なく変更することがございます。

CONNECT



CONNECT (1)

Page 126 [A2] to FUNCTION (1)\_CB401

NOTICE (model) Interchangeable Parts at Manufacture-Stage

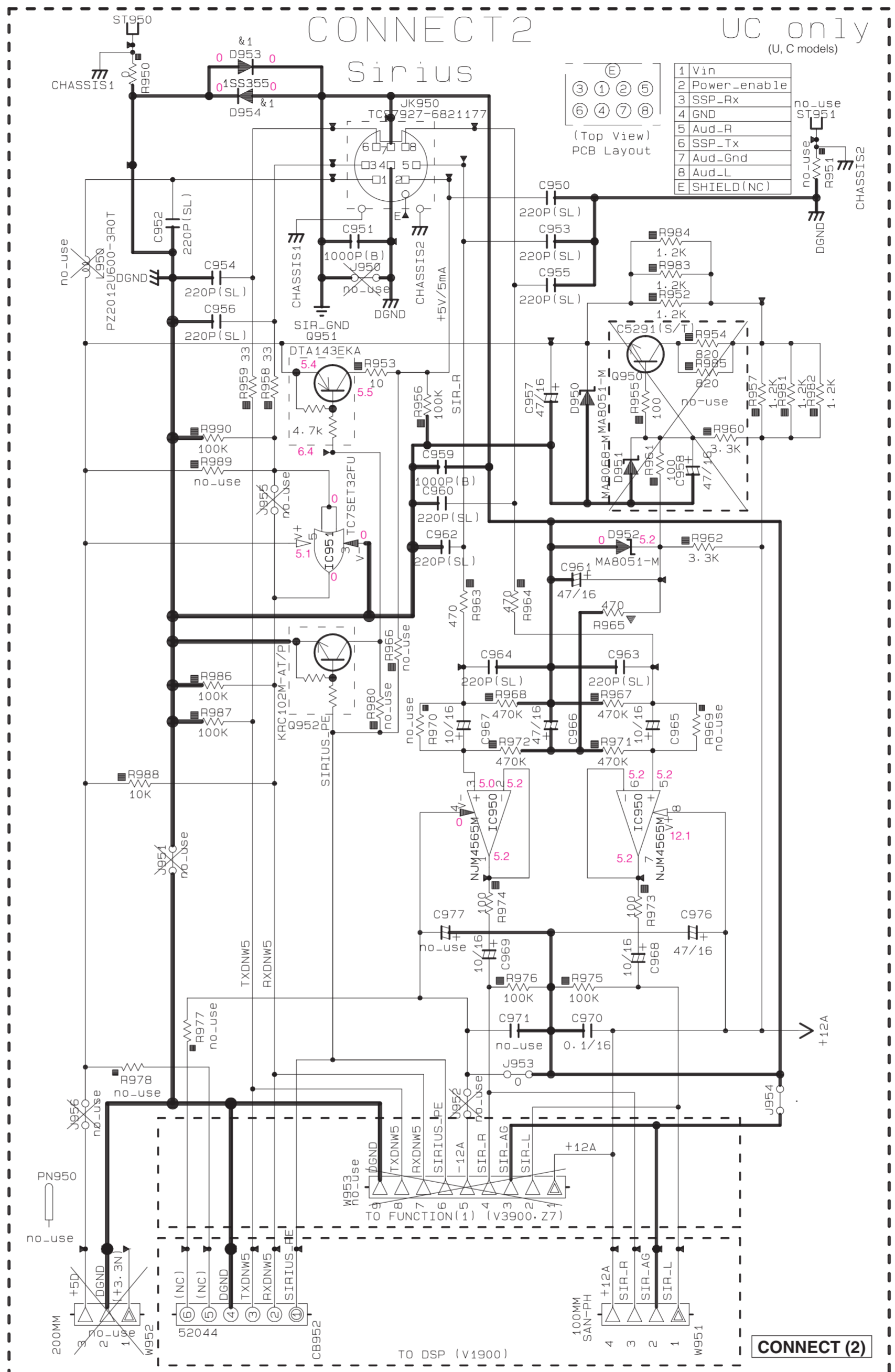
- (J)..... JAPAN
- (U)..... U.S.A
- (C)..... CANADA
- (R)..... GENERAL
- (T)..... CHINA
- (K)..... KOREA
- (A)..... AUSTRALIA
- (B)..... BRITISH
- (G)..... EUROPE
- (L)..... SINGAPORE
- (E)..... SOUTH
- (V)..... TAIWAN
- (F)..... RUSSIAN

Mark	Reference Parts Number	Parts Name
&1	D900-901-953-954	1SS355
		MA2J1110GL
		KDS160-RTK/P

REMARKS	PARTS NAME
NO MARK	CARBON FILM RESISTOR (P=5)
□	CARBON FILM RESISTOR (P=10)
△	METAL OXIDE FILM RESISTOR
▲	METAL FILM RESISTOR
⊠	METAL PLATE RESISTOR
▨	FIRE PROOF CARBON FILM RESISTOR
□	CEMENT MOLDED RESISTOR
▩	SEMI VARIABLE RESISTOR
■	CHIP RESISTOR

REMARKS	PARTS NAME
NO MARK	ELECTROLYTIC CAPACITOR
⊗	TANTALUM CAPACITOR
NO MARK	CERAMIC CAPACITOR
●	CERAMIC TUBULAR CAPACITOR
○	POLYESTER FILM CAPACITOR
⊙	POLYSTYRENE FILM CAPACITOR
⊖	MICA CAPACITOR
Ⓟ	POLYPROPYLENE FILM CAPACITOR
Ⓢ	SEMICONDUCTIVE CERAMIC CAPACITOR
Ⓣ	POLYPHENYLENE SULFIDE FILM CAPACITOR

★ All voltages are measured with a 10MQ/V DC electronic voltmeter.  
 ★ Components having special characteristics are marked \* and must be replaced with parts having specifications equal to those originally installed.  
 ★ Schematic diagram is subject to change without notice.  
 ● 電圧は、内部抵抗10MΩの電圧計で測定したものです。  
 ● \*印のある部品は、安全性確保部品を示しています。部品の交換が必要な場合、パーツリストに記載されている部品を使用してください。  
 ● 本回路図は標準回路図です。改良のため予告なく変更することがございます。



CONNECT (2)

Page 126 [G8] to FUNCTION (1)\_CB408

Page 125 [F1] to DSP\_CB562

sXX	LOC	U	C
s1	CB901	LB91903 XHL	X
s2	R924 R908	RD35647 4.7K	X
s3	R925	RD35633 3.3K	X
s4	R923 R912	RD35668 6.8K	X
s5	C914 C917	US06222 220P(SL)	X
s6	C918 C919 C912 C913	UM39710 10/16	X
s7	IC901	X737BA0 NUM4565M	X
s8	C920	US13510 0.1/16	X
s9	R916 R921	RD35810 100K	X
s10	W901	W008100 SAN-YDH	X
s11	ST900	V404050	X
s13	D901 D900	VT33290 1SS355	X
s14	C903 C907 C905 C910	US06210 100P(SL)	X
s15	Q900	WH44500 3LNO1C-TB-E	X
s16	C901 C921	US13510 0.1/16	X
s17	C900	US06410 0.01(B)	X
s18	C916 C904	UM39747 47/16	X
s19	L901	W653720 PZ2012U600-3R0T	X
s21	C975	US13510 0.1/16	X
s22	L902	W653720 PZ2012U600-3R0T	X
s23	R909	RD35410 10	X
s24	R919	RD35710 10K	X
s25	CB903	VU44380 15PSL-JE	X
s27	R900	RD35000 0	X
s28	D904	VU99260 MAB051-M	X
s29	PN901	V963750	X
s30	R915	RD35000 0	X
s31	R922 R914	RD35847 470K	X
s32	R917 R920	RD35610 1K	X
s33	R905	RD35610 1K	X
s34	R926	VU22420 1P0.47	X
s35	C902	UR21922 220/6.3	X

NA No.	WP15580	WP15590
NC No.	X9907	

